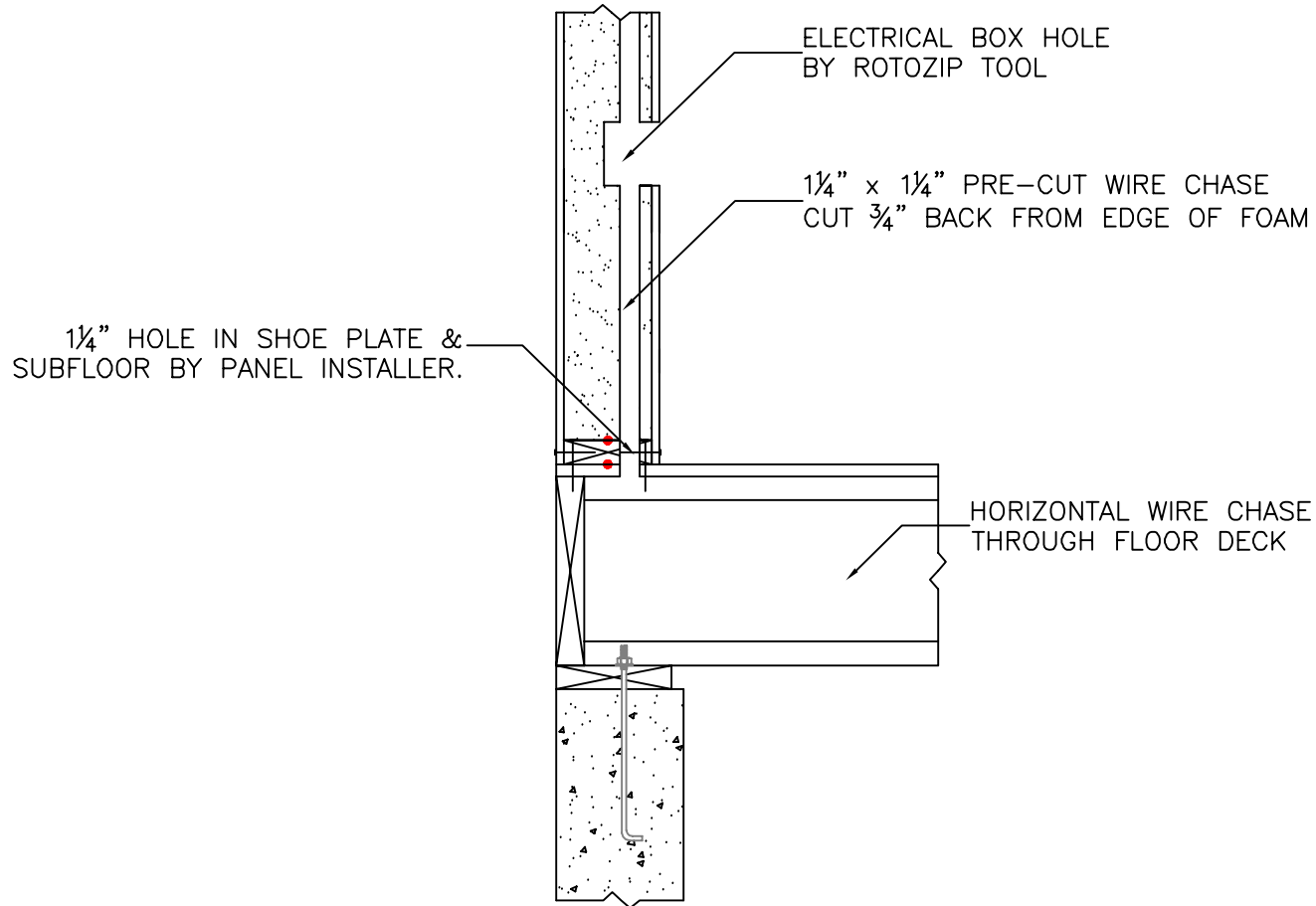


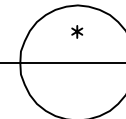
#65

WIRING DETAIL WITH VERTICAL PRE-CUT WIRECHASES



NOTE: ALL RED DOTS - APPLY CONTINUOUS
3/8" DIA. BEAD OF MASTIC SEALANT
BETWEEN 2x MEMBER & PANEL FOAM.

WIRING DETAIL W/ VERTICAL PRE-CUT WIRECHASES
SCALE: 1" = 1'-0"



Foard

P A N E L

incorporated
P.O. Box 185, West Chesterfield, NH 0346
(603) 256-8800