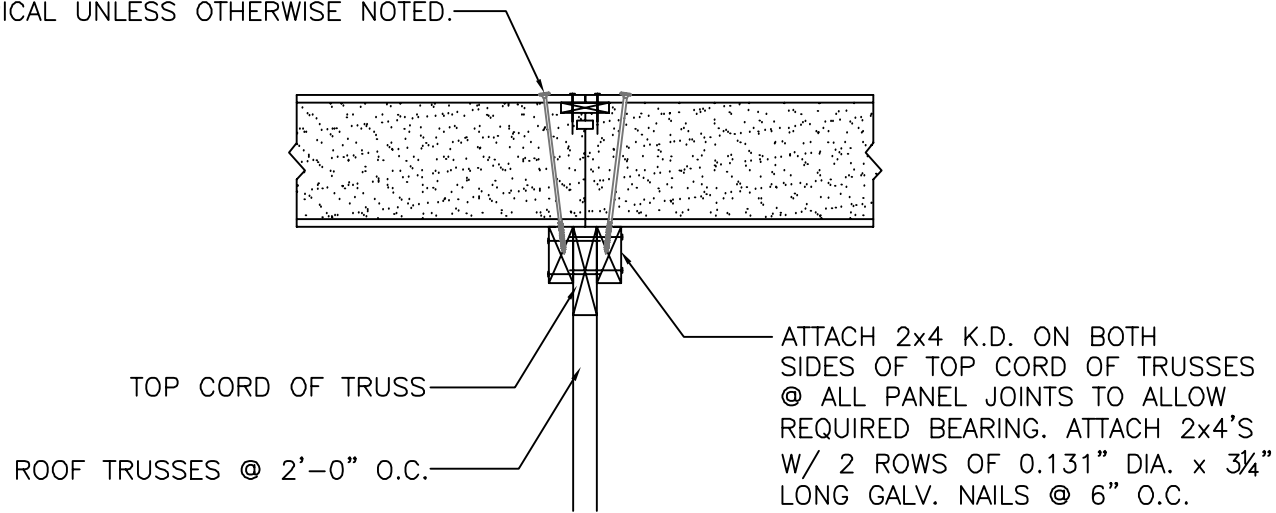


#49

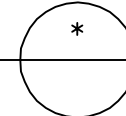
# PANEL TO TRUSS CONNECTION DETAIL

ATTACH ROOF PANELS TO 2x BLOCKING  
BELOW W/ SIP FASTENERS @ 10" O.C.  
TYPICAL UNLESS OTHERWISE NOTED.



NOTE: ALL RED DOTS - APPLY CONTINUOUS  
3/8" DIA. BEAD OF MASTIC SEALANT  
BETWEEN 2x MEMBER & PANEL FOAM.

PANEL TO TRUSS CONNECTION DETAIL  
SCALE: 1" = 1'-0"



**Foard**  
P A N E L  
i n c o r p o r a t e d  
P.O. Box 185, West Chesterfield, NH 0346  
(603) 256-8800