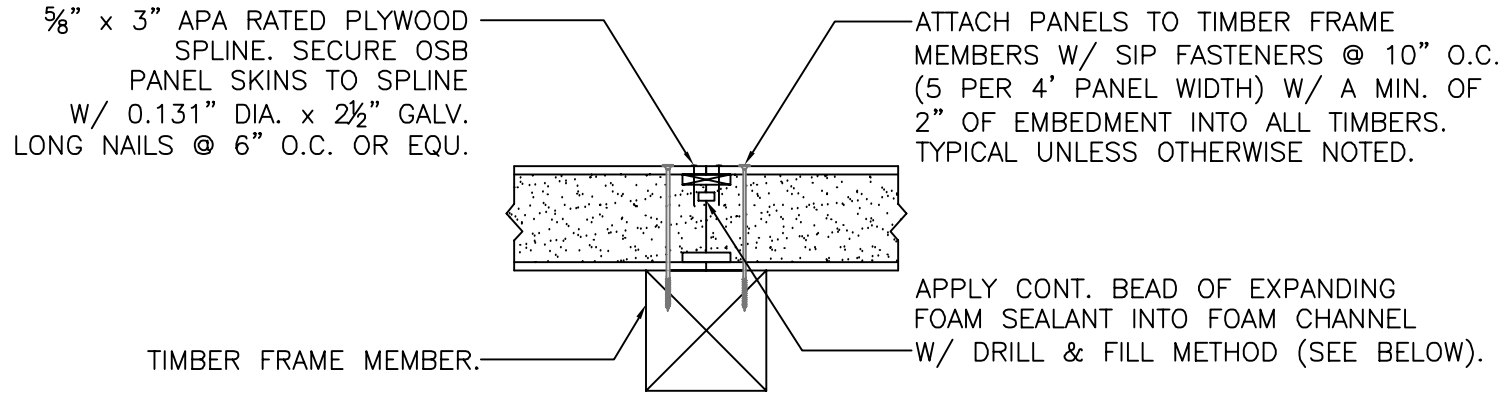


#3

PANEL SPLINE JOINT CONNECTION @ TIMBER



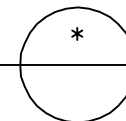
NOTE: IF PANEL IS ALREADY ROUTED FOR DBL. SPLINE CONDITION THAN INTERIOR SPLINE CHANNEL MAY BE USED AS WIRECHASE OR THE GAP SHOULD SIMPLY BE FILLED WITH EXPANDING FOAM SELANT.

DRILL AND FILL METHOD:

FROM EXTERIOR DRILL 3/8" DIA. HOLES IN PANEL CONNECTION @ 10" O.C. FOR WALL PANELS & @ 6" O.C. FOR ROOF PANELS ALONG ENTIRE LENGTH OF JOINT. INJECT FOAM INTO CAVITY FOR APPR. 5 SECONDS. FOAM MUST BE ALLOWED TO CURE FOR AT LEAST 24 HOURS BEFORE HARDENED FOAM BALLS ARE REMOVED FROM THE EXTERIOR. INJECT FOAM AS CLOSE AS POSSIBLE TO INTERIOR SKIN OF PANEL.

[PANEL TYPE: STRUCTURAL PANEL APPLIED DIRECTLY TO THE FRAME]

SINGLE 3" WIDE PANEL SPLINE CONNECTION @ TIMBER
SCALE: 1" = 1'-0"



Foard
P A N E L
i n c o r p o r a t e d
P.O. Box 185 , West Chesterfield , NH 0346
(603) 256 - 8800