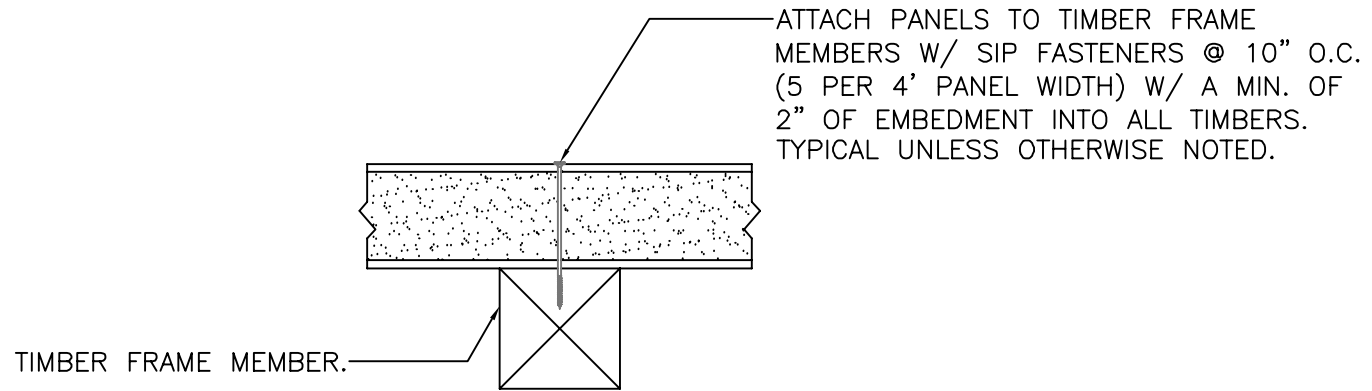


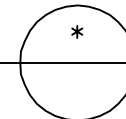
#2

PANEL TO TIMBER CONNECTION



PANEL TYPE: STRUCTURAL PANEL APPLIED DIRECTLY TO THE FRAME

PANEL TO TIMBER CONNECTION
SCALE: 1" = 1'-0"



Foard
P A N E L
i n c o r p o r a t e d
P.O. Box 185, West Chesterfield, NH 0346
(603) 256-8800