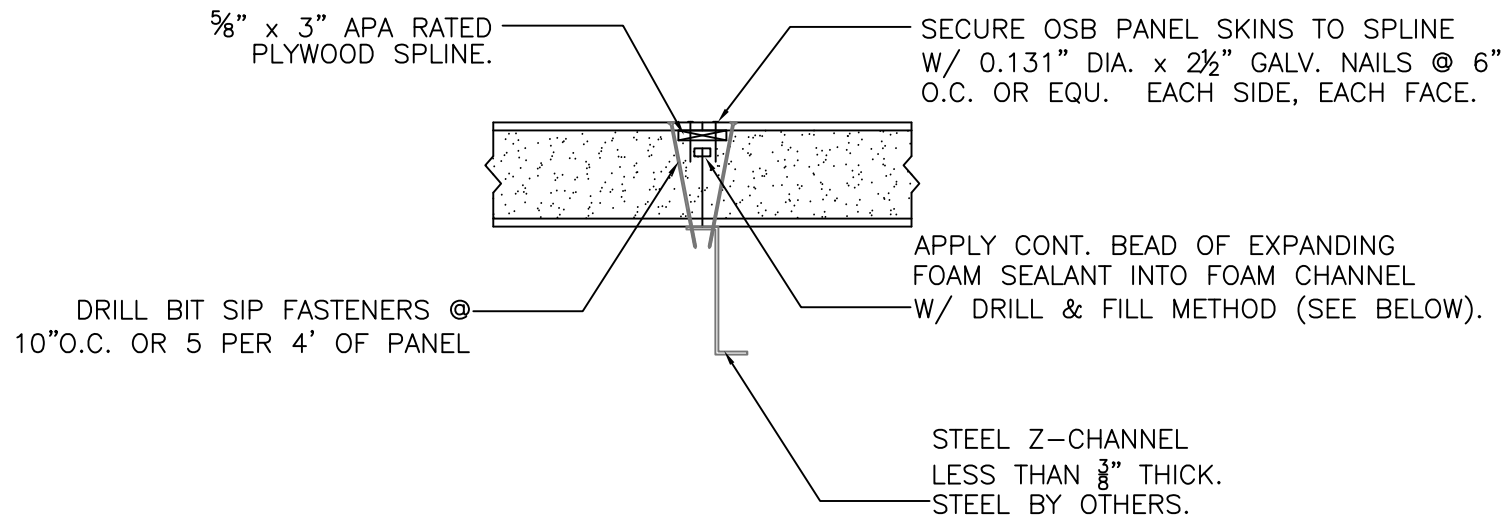


# WALL TO STEEL CONNECTION #3

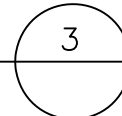
(DATE: 11-11-2014)



### DRILL AND FILL METHOD:

FROM EXTERIOR DRILL 3/8" DIA. HOLES IN PANEL CONNECTION @ 10" O.C. FOR WALL PANELS & @ 6" O.C. FOR ROOF PANELS ALONG ENTIRE LENGTH OF JOINT. INJECT FOAM INTO CAVITY FOR APPR. 5 SECONDS. FOAM MUST BE ALLOWED TO CURE FOR AT LEAST 24 HOURS BEFORE HARDENED FOAM BALLS ARE REMOVED FROM THE EXTERIOR. INJECT FOAM AS CLOSE AS POSSIBLE TO INTERIOR SKIN OF PANEL.

WALL TO STEEL CONNECTION - TYPE #3  
SCALE: 1" = 1'-0"



**Foard**  
P A N E L  
i n c o r p o r a t e d  
P.O. Box 185, West Chesterfield, NH 03466  
(603) 256-8800