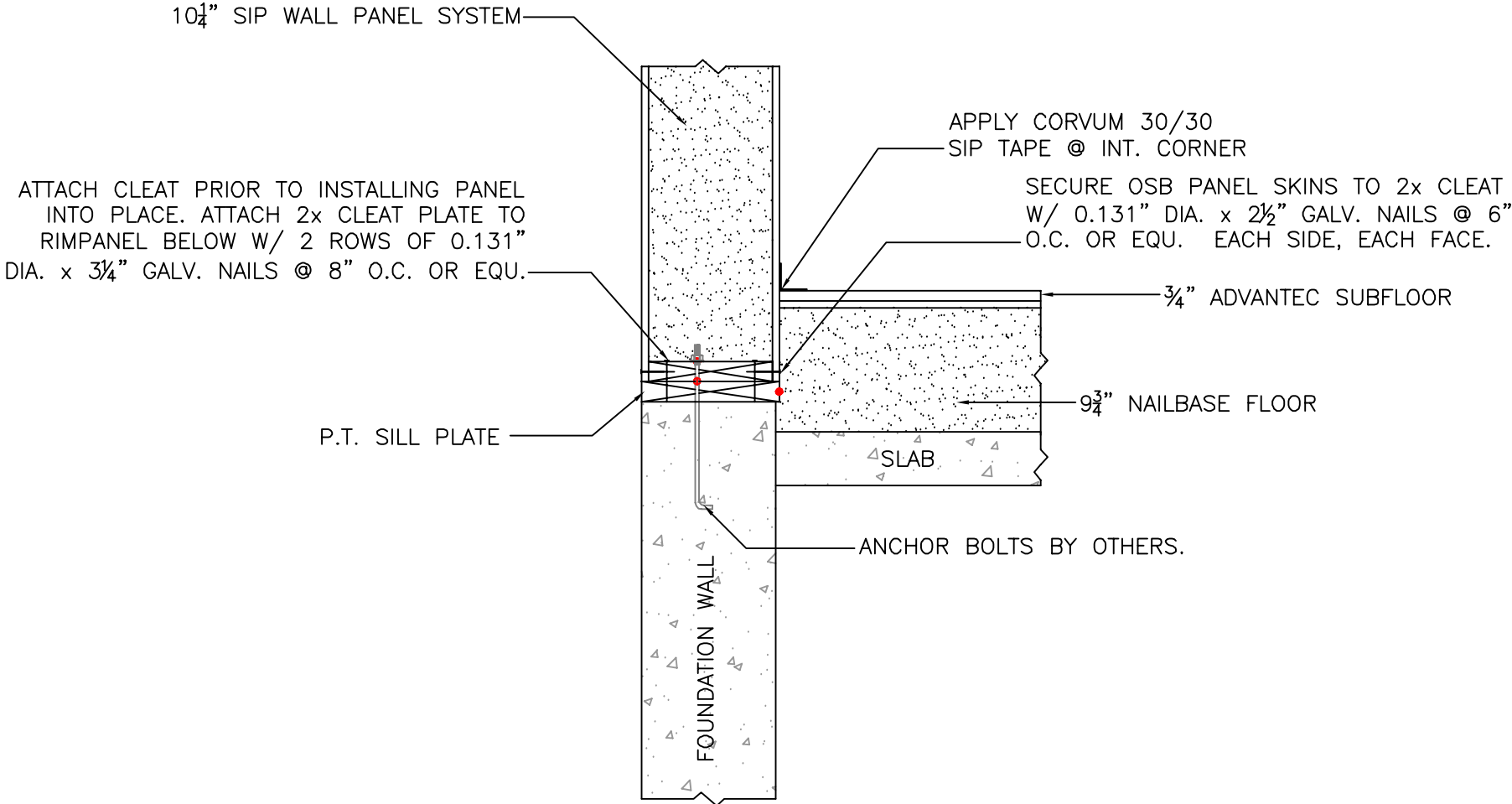


SLAB W/ FROST WALL DETAIL #3



NOTE: ALL RED DOTS — APPLY CONTINUOUS 3/8" DIA. BEAD OF MASTIC SEALANT BETWEEN 2x MEMBER & PANEL FOAM.

SLAB W/ FROST WALL DETAIL
SCALE: 1" = 1'-0"

3

Foard

P A N E L
i n c o r p o r a t e d
P.O. Box 185, West Chesterfield, NH 03466
(603) 256-8800