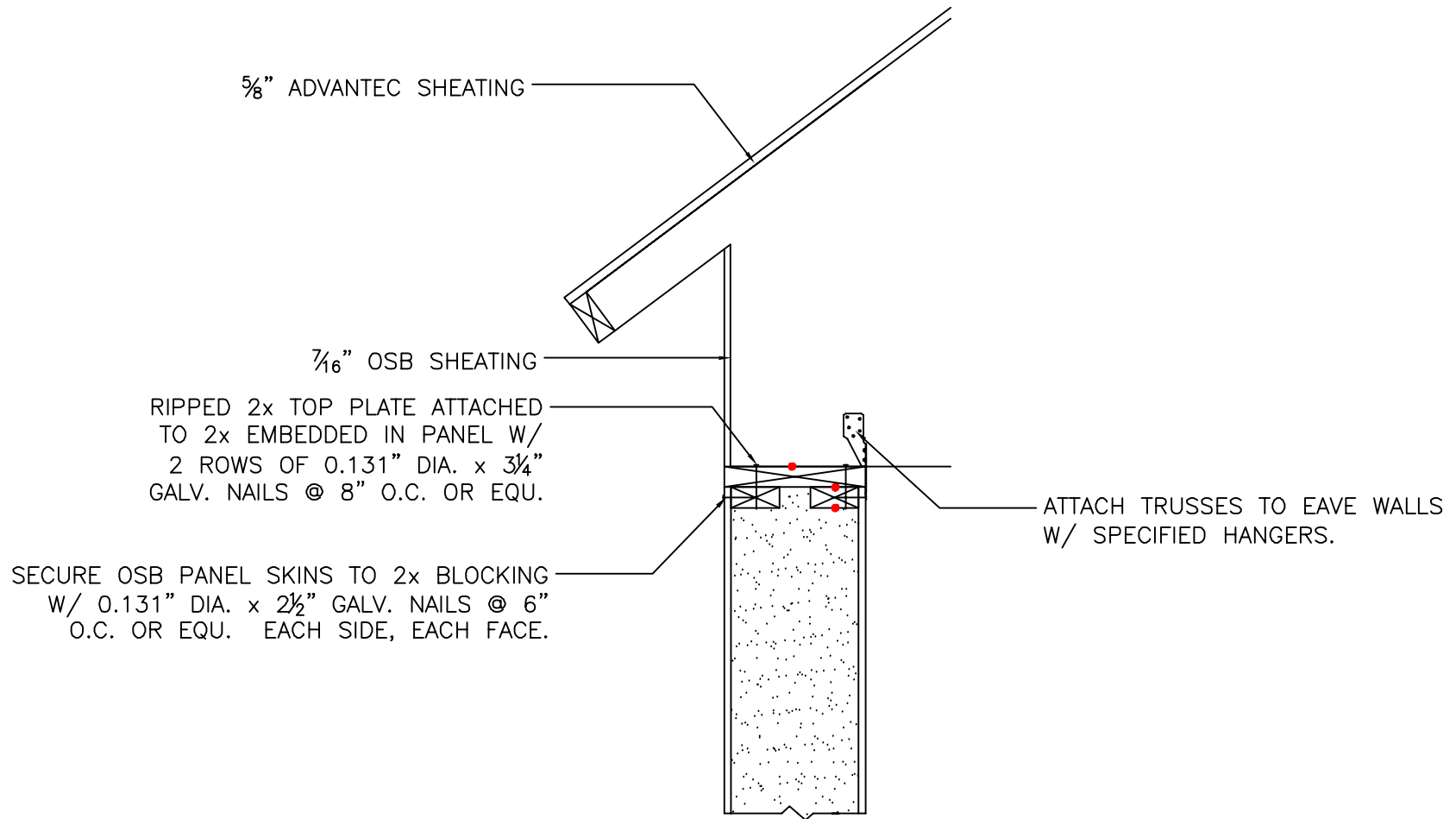


# RAISED HEEL TRUSS DETAIL #29



NOTE: ALL RED DOTS - APPLY CONTINUOUS  
3/8" DIA. BEAD OF MASTIC SEALANT  
BETWEEN 2x MEMBER & PANEL FOAM.

RAISED HEEL TRUSS DETAIL  
SCALE: 1" = 1'-0"

29

**Foard**  
P A N E L  
i n c o r p o r a t e d  
P.O. Box 185, West Chesterfield, NH 03466  
(603) 256-8800