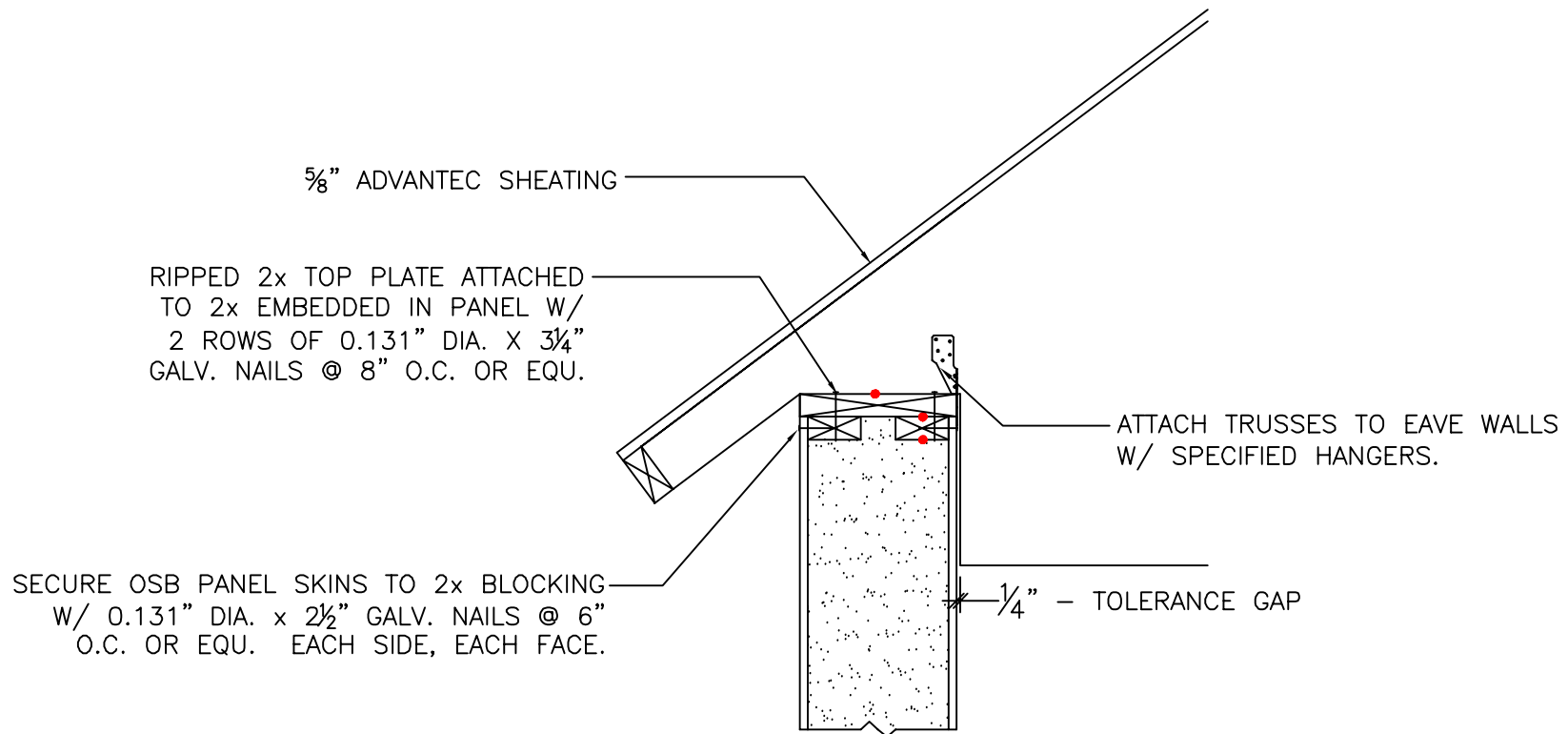


# DROPPED HEEL TRUSS DETAIL #28



NOTE: ALL RED DOTS - APPLY CONTINUOUS 3/8" DIA. BEAD OF MASTIC SEALANT BETWEEN 2x MEMBER & PANEL FOAM.

DROPPED HEEL TRUSS DETAIL  
SCALE: 1" = 1'-0"

28

**Foard**  
P A N E L  
i n c o r p o r a t e d  
P.O. Box 185, West Chesterfield, NH 03466  
(603) 256-8800