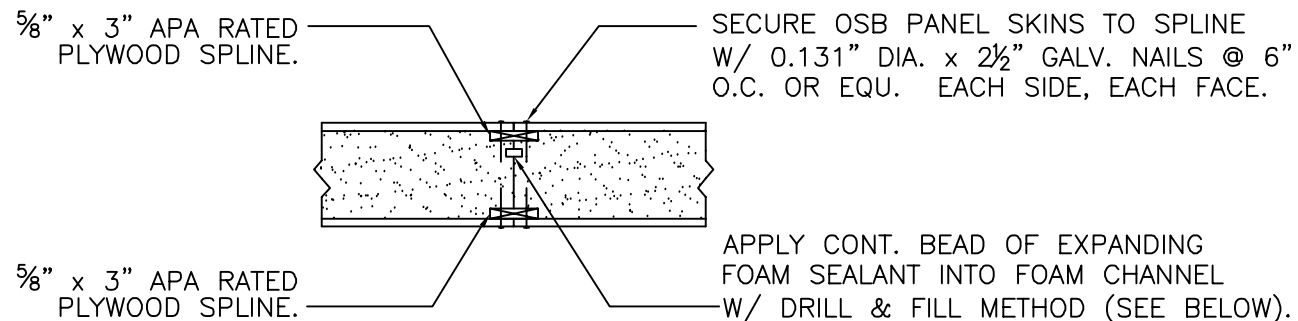


3" WIDE DOUBLE SPLINE (DATE: 7-16-2013)

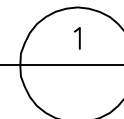


DRILL AND FILL METHOD:

FROM EXTERIOR DRILL 3/8" DIA. HOLES IN PANEL CONNECTION @ 10" O.C. FOR WALL PANELS & @ 6" O.C. FOR ROOF PANELS ALONG ENTIRE LENGTH OF JOINT. INJECT FOAM INTO CAVITY FOR APPR. 5 SECONDS. FOAM MUST BE ALLOWED TO CURE FOR AT LEAST 24 HOURS BEFORE HARDENED FOAM BALLS ARE REMOVED FROM THE EXTERIOR. INJECT FOAM AS CLOSE AS POSSIBLE TO INTERIOR SKIN OF PANEL.

[PANEL TYPE: STRUCTURAL PANEL APPLIED DIRECTLY TO THE FRAME]

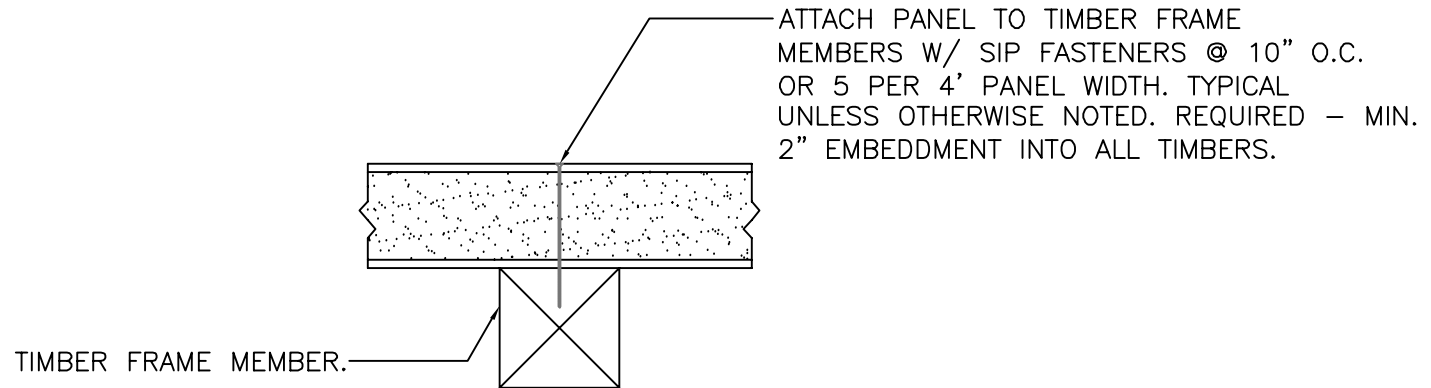
DBL. 3" WIDE PANEL SPLINE CONNECTION
SCALE: 1" = 1'-0"



Foard
P A N E L
i n c o r p o r a t e d
P.O. Box 185, West Chesterfield, NH 03466
(603) 256-8800

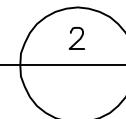
PANEL TO TIMBER CONNECTION

(DATE: 7-16-2013)



[PANEL TYPE: STRUCTURAL PANEL APPLIED DIRECTLY TO THE FRAME]

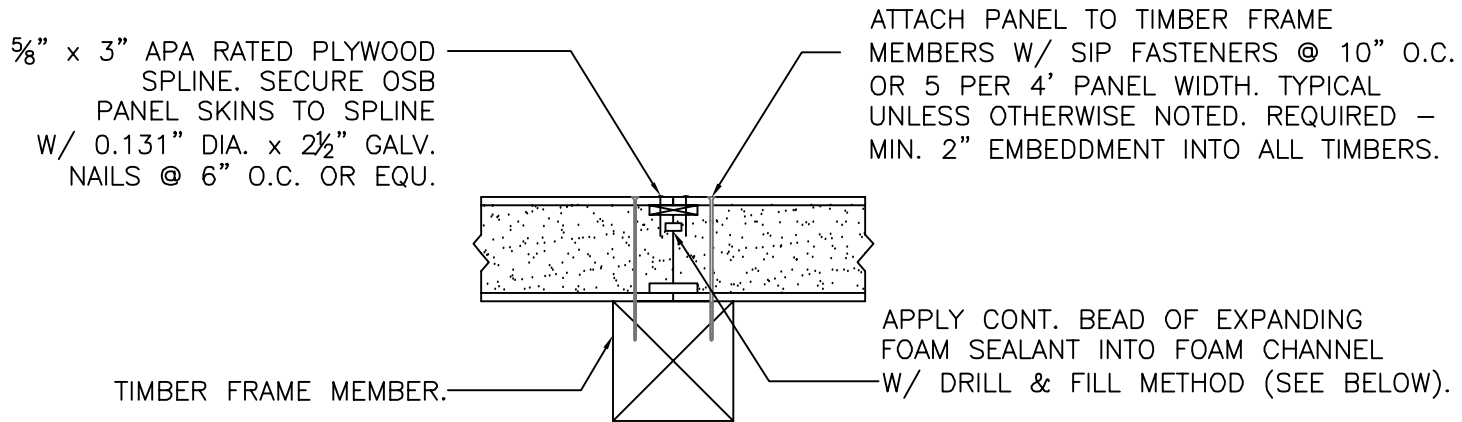
PANEL TO TIMBER CONNECTION
SCALE: 1" = 1'-0"



Foard
P A N E L
i n c o r p o r a t e d
P.O. Box 185, West Chesterfield, NH 03466
(603) 256-8800

PANEL SPLINE JOINT CONNECTION @ TIMBER

(DATE: 7-16-2013)



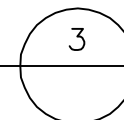
NOTE: IF PANEL IS ALREADY ROUTED FOR DBL. SPLINE CONDITION THAN INTERIOR SPLINE CHANNEL MAY BE USED AS WIRECHASE OR THE GAP SHOULD SIMPLY BE FILLED WITH EXPANDING FOAM SELANT.

DRILL AND FILL METHOD:

FROM EXTERIOR DRILL 3/8" DIA. HOLES IN PANEL CONNECTION @ 10" O.C. FOR WALL PANELS & @ 6" O.C. FOR ROOF PANELS ALONG ENTIRE LENGTH OF JOINT. INJECT FOAM INTO CAVITY FOR APPR. 5 SECONDS. FOAM MUST BE ALLOWED TO CURE FOR AT LEAST 24 HOURS BEFORE HARDENED FOAM BALLS ARE REMOVED FROM THE EXTERIOR. INJECT FOAM AS CLOSE AS POSSIBLE TO INTERIOR SKIN OF PANEL.

[PANEL TYPE: STRUCTURAL PANEL APPLIED DIRECTLY TO THE FRAME]

SINGLE 3" WIDE PANEL SPLINE CONNECTION @ TIMBER
SCALE: 1" = 1'-0"



Foard
P A N E L
i n c o r p o r a t e d
P.O. Box 185 , West Chesterfield , NH 03466
(603) 256 - 8800

PENTALAM EAVE ATTACHMENT

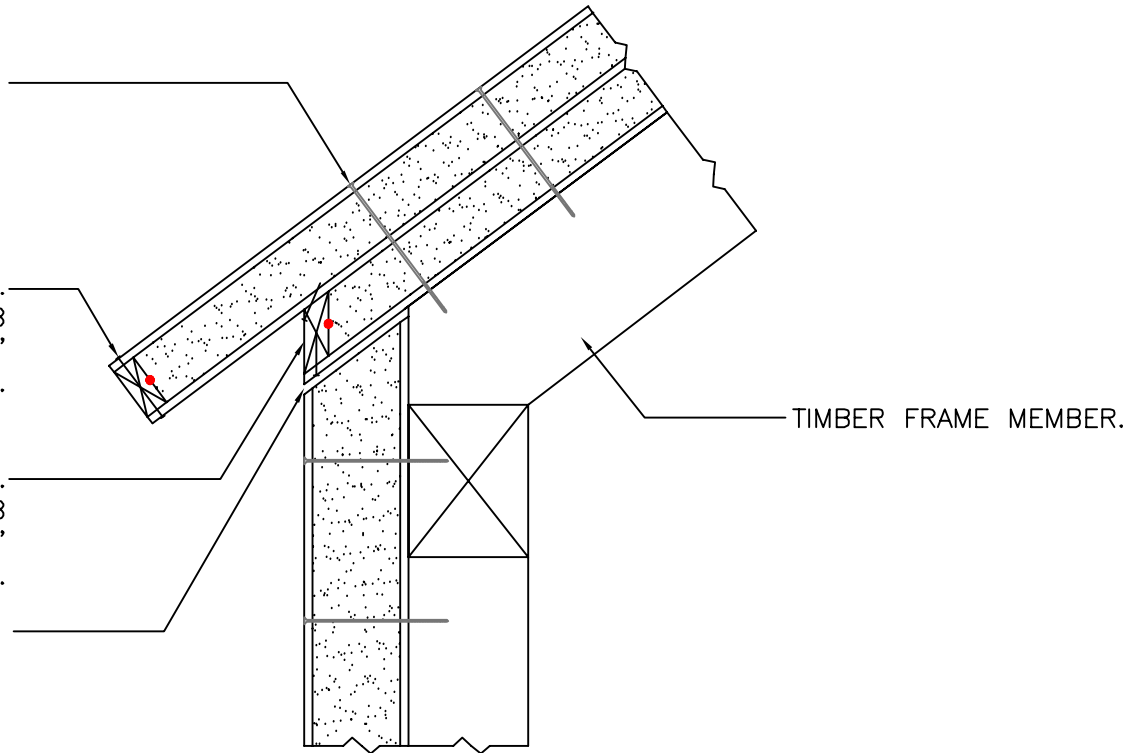
(DATE: 7-16-2013)

ATTACH PANEL TO TIMBER FRAME MEMBERS
W/ SIP FASTENERS @ 10" O.C. OR
5 PER 4' PANEL WIDTH. TYPICAL UNLESS
OTHERWISE NOTED. REQUIRED - MIN.
2" EMBEDDMENT INTO ALL TIMBERS.

STUFF EXPOSED PANEL EDGE W/ CONT.
2x MATERIAL. SECURE OSB
PANEL SKINS TO 2x W/ 0.131" DIA. x 2½"
GALV. NAILS @ 6" O.C. OR EQU.

STUFF EXPOSED PANEL EDGE W/ CONT.
BEVELED 2x MATERIAL. SECURE OSB
PANEL SKINS TO 2x W/ 0.131" DIA. x 2½"
GALV. NAILS @ 6" O.C. OR EQU.

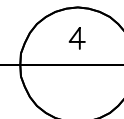
CUT/INSTALL WALL PANELS SUCH THAT
THERE IS A ½" GAP WHICH IS TO
BE FILLED W/ A CONT. BEAD OF
EXPANDING FOAM SEALANT.



NOTE: ALL RED DOTS - APPLY CONTINUOUS
¾" DIA. BEAD OF MASTIC SEALANT
BETWEEN 2x MEMBER & PANEL FOAM.

[PANEL TYPE: STRUCTURAL PANEL APPLIED DIRECTLY TO THE FRAME]

PANEL EAVE CONNECTION DETAIL - TYPE #4
SCALE: 1" = 1'-0"



Foard
P A N E L
i n c o r p o r a t e d
P.O. Box 185, West Chesterfield, NH 03466
(603) 256-8800

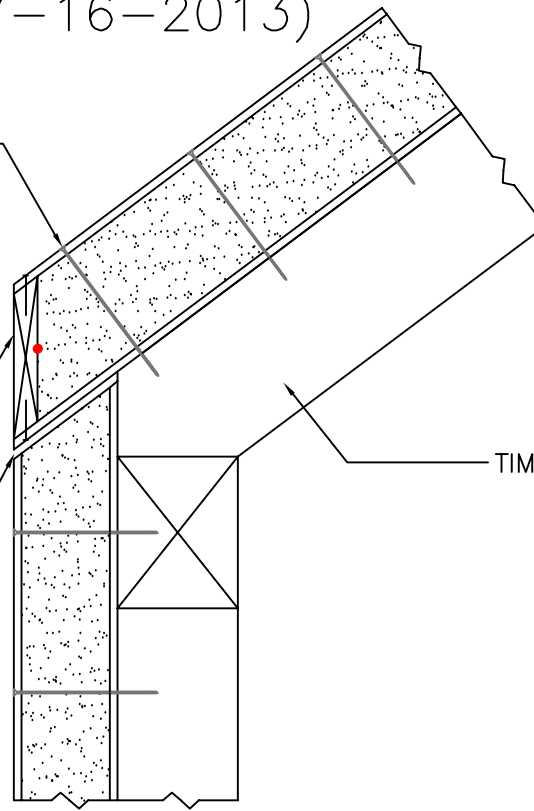
EAVE PLUMB CUT ATTACHMENT

(DATE: 7-16-2013)

ATTACH PANEL TO TIMBER FRAME MEMBERS
W/ SIP FASTENERS @ 10" O.C. OR
5 PER 4' PANEL WIDTH. TYPICAL UNLESS
OTHERWISE NOTED. REQUIRED - MIN.
2" EMBEDDMENT INTO ALL TIMBERS.

STUFF EXPOSED PANEL EDGE W/ CONT.
BEVELED 2x MATERIAL. SECURE OSB
PANEL SKINS TO 2x W/ 0.131" DIA. x 2½"
GALV. NAILS @ 6" O.C. OR EQU.

CUT/INSTALL WALL PANELS SUCH THAT
THERE IS A ½" GAP WHICH IS TO
BE FILLED W/ A CONT. BEAD OF
EXPANDING FOAM SEALANT.

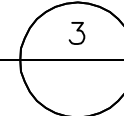


TIMBER FRAME MEMBER.

NOTE: ALL RED DOTS - APPLY CONTINUOUS
⅜" DIA. BEAD OF MASTIC SEALANT
BETWEEN 2x MEMBER & PANEL FOAM.

[PANEL TYPE: STRUCTURAL PANEL APPLIED DIRECTLY TO THE FRAME]

PANEL EAVE CONNECTION DETAIL - TYPE #3
SCALE: 1" = 1'-0"



Foard
P A N E L
i n c o r p o r a t e d
P.O. Box 185, West Chesterfield, NH 03466
(603) 256-8800

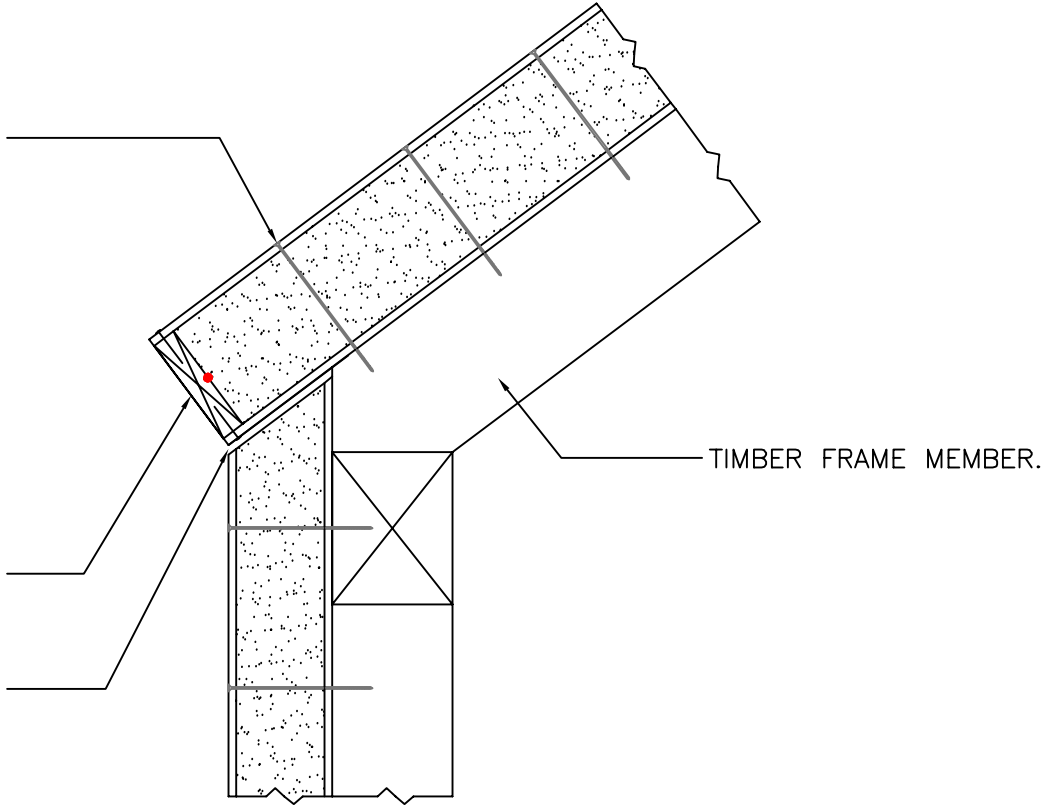
EAVE SQUARE CUT ATTACHMENT

(DATE: 7-16-2013)

ATTACH PANEL TO TIMBER FRAME MEMBERS
W/ SIP FASTENERS @ 10" O.C. OR
5 PER 4' PANEL WIDTH. TYPICAL UNLESS
OTHERWISE NOTED. REQUIRED - MIN.
2" EMBEDMENT INTO ALL TIMBERS.

STUFF EXPOSED PANEL EDGE W/
CONT. 2x MATERIAL. SECURE OSB
PANEL SKINS TO 2x W/ 0.131" DIA. x 2½"
GALV. NAILS @ 6" O.C. OR EQU.

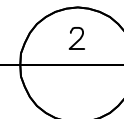
CUT/INSTALL WALL PANELS SUCH THAT
THERE IS A ½" GAP WHICH IS TO
BE FILLED W/ A CONT. BEAD OF
EXPANDING FOAM SEALANT.



NOTE: ALL RED DOTS - APPLY CONTINUOUS
⅜" DIA. BEAD OF MASTIC SEALANT
BETWEEN 2x MEMBER & PANEL FOAM.

[PANEL TYPE: STRUCTURAL PANEL APPLIED DIRECTLY TO THE FRAME]

PANEL EAVE CONNECTION DETAIL - TYPE #2
SCALE: 1" = 1'-0"



Foard
P A N E L
i n c o r p o r a t e d
P.O. Box 185 , West Chesterfield , NH 03466
(603) 256 - 8800

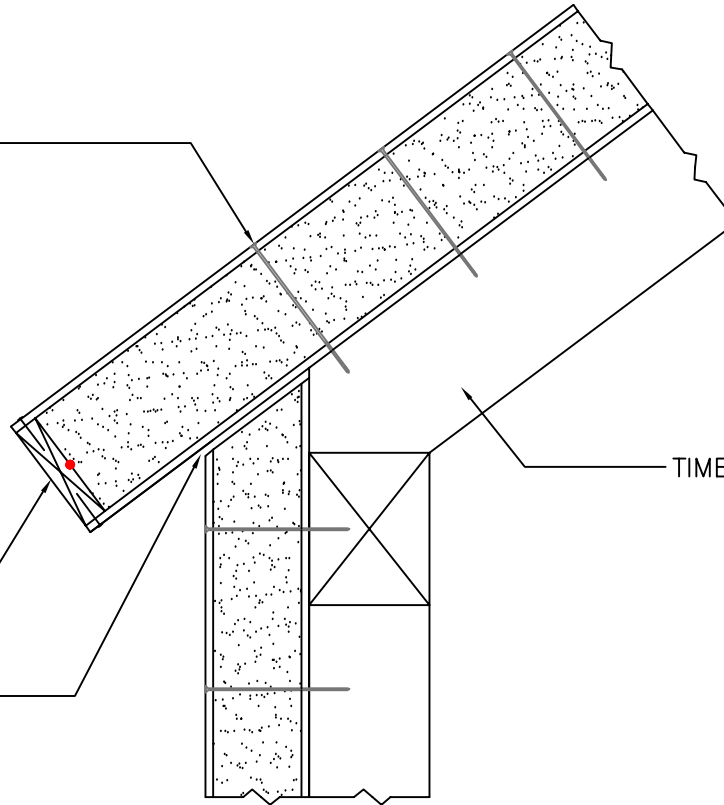
EAVE SQUARE CUT OVERHANG ATTACHMENT

(DATE: 7-16-2013)

ATTACH PANEL TO TIMBER FRAME MEMBERS
W/ SIP FASTENERS @ 10" O.C. OR
5 PER 4' PANEL WIDTH. TYPICAL UNLESS
OTHERWISE NOTED. REQUIRED - MIN.
2" EMBEDMENT INTO ALL TIMBERS.

STUFF EXPOSED PANEL EDGE W/
CONT. 2x MATERIAL. SECURE OSB
PANEL SKINS TO 2x W/ 0.131" DIA. x
2½" GALV. NAILS @ 6" O.C. OR EQU.

CUT/INSTALL WALL PANELS SUCH
THAT THERE IS A ½" GAP WHICH IS
TO BE FILLED W/ A CONT. BEAD
OF EXPANDING FOAM SEALANT.

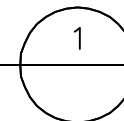


TIMBER FRAME MEMBER.

NOTE: ALL RED DOTS - APPLY CONTINUOUS
⅜" DIA. BEAD OF MASTIC SEALANT
BETWEEN 2x MEMBER & PANEL FOAM.

[PANEL TYPE: STRUCTURAL PANEL APPLIED DIRECTLY TO THE FRAME]

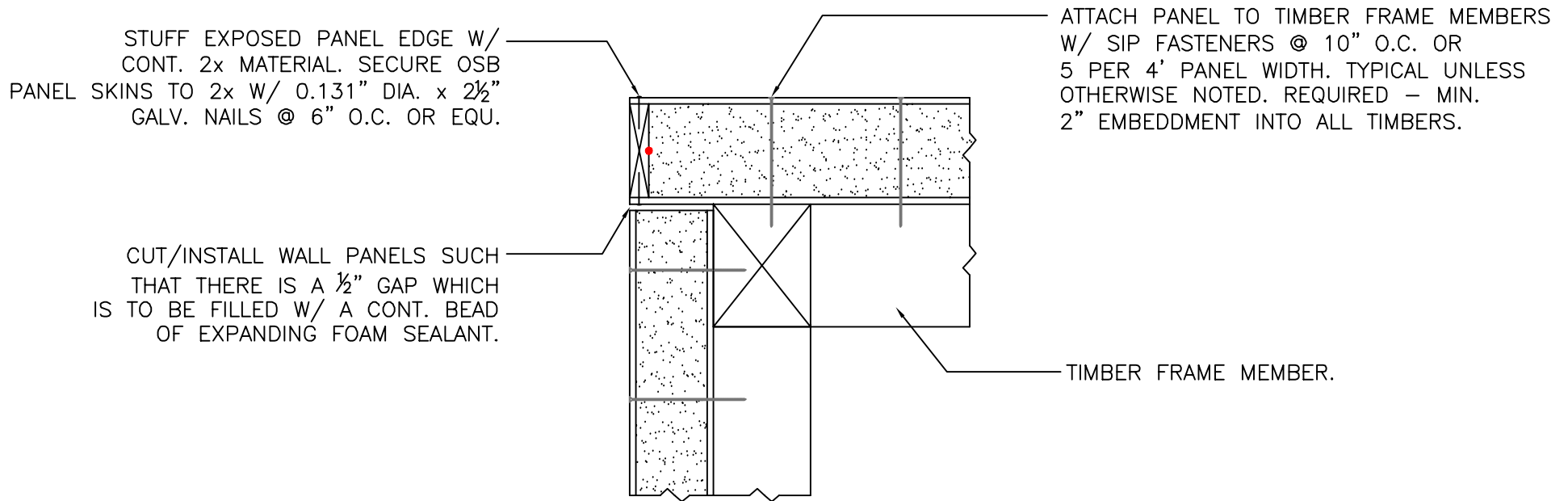
PANEL EAVE CONNECTION DETAIL - TYPE #1
SCALE: 1" = 1'-0"



Foard
P A N E L
i n c o r p o r a t e d
P.O. Box 185, West Chesterfield, NH 03466
(603) 256-8800

RAKE ATTACHMENT

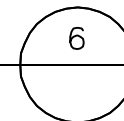
(DATE: 7-16-2013)



NOTE: ALL RED DOTS - APPLY CONTINUOUS
⅜" DIA. BEAD OF MASTIC SEALANT
BETWEEN 2x MEMBER & PANEL FOAM.

PANEL TYPE: STRUCTURAL PANEL APPLIED DIRECTLY TO THE FRAME

PANEL RAKE CONNECTION DETAIL - TYPE #2
SCALE: 1" = 1'-0"



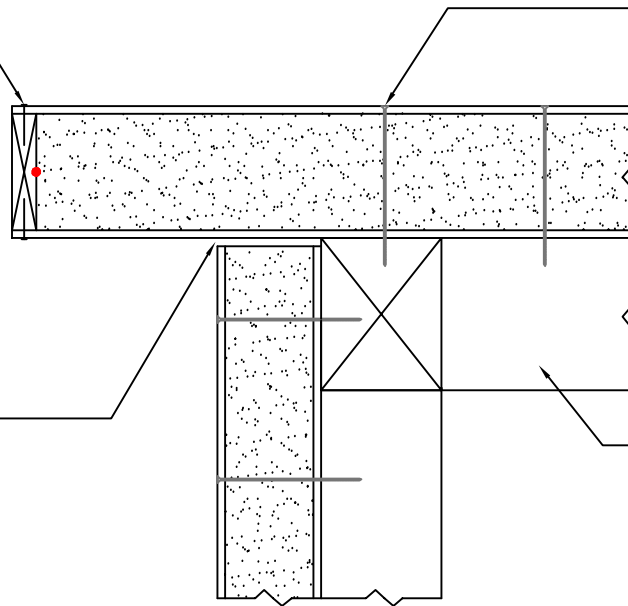
Foard
P A N E L
i n c o r p o r a t e d
P.O. Box 185 , West Chesterfield , NH 03466
(603) 256 - 8800

RAKE OVERHANG ATTACHMENT

(DATE: 7-16-2013)

STUFF EXPOSED PANEL EDGE W/
CONT. 2x MATERIAL. SECURE OSB PANEL
SKINS TO 2x W/ 0.131" DIA. x 2½"
GALV. NAILS @ 6" O.C. OR EQU.

ATTACH PANEL TO TIMBER FRAME MEMBERS
W/ SIP FASTENERS @ 10" O.C. OR
5 PER 4' PANEL WIDTH. TYPICAL UNLESS
OTHERWISE NOTED. REQUIRED - MIN.
2" EMBEDMENT INTO ALL TIMBERS.



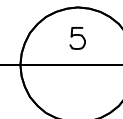
CUT/INSTALL WALL PANELS SUCH
THAT THERE IS A ½" GAP WHICH
IS TO BE FILLED W/ A CONT. BEAD
OF EXPANDING FOAM SEALANT.

TIMBER FRAME MEMBER.

NOTE: ALL RED DOTS - APPLY CONTINUOUS
¾" DIA. BEAD OF MASTIC SEALANT
BETWEEN 2x MEMBER & PANEL FOAM.

PANEL TYPE: STRUCTURAL PANEL APPLIED DIRECTLY TO THE FRAME

PANEL RAKE CONNECTION DETAIL - TYPE #1
SCALE: 1" = 1'-0"



Foard
P A N E L
i n c o r p o r a t e d
P.O. Box 185, West Chesterfield, NH 03466
(603) 256-8800

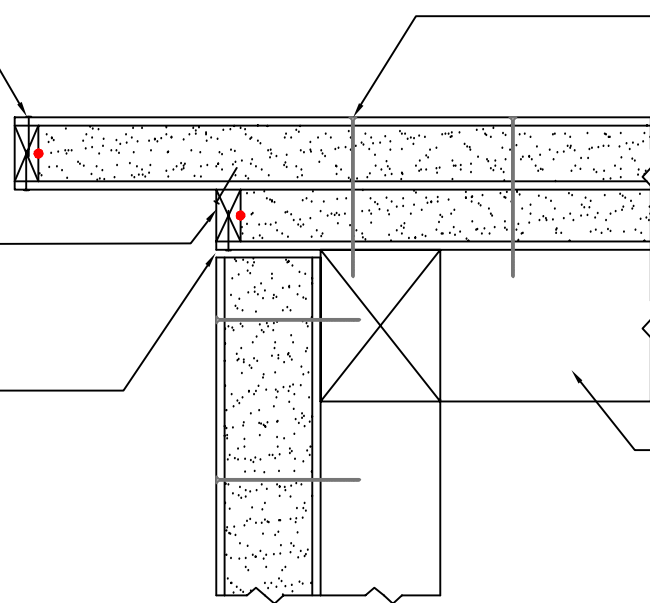
PENTALAM RAKE ATTACHMENT

(DATE: 7-16-2013)

STUFF EXPOSED PANEL EDGE W/
CONT. 2x MATERIAL. SECURE OSB
PANEL SKINS TO 2x W/ 0.131" DIA.
x 2½" GALV. NAILS @ 6" O.C. OR EQU.

STUFF EXPOSED PANEL EDGE W/
CONT. 2x MATERIAL. SECURE OSB
PANEL SKINS TO 2x W/ 0.131" DIA.
x 2½" GALV. NAILS @ 6" O.C. OR EQU.

CUT/INSTALL WALL PANELS SUCH
THAT THERE IS A ½" GAP WHICH
IS TO BE FILLED W/ A CONT. BEAD
OF EXPANDING FOAM SEALANT.



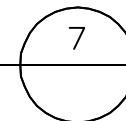
ATTACH PANEL TO TIMBER FRAME MEMBERS
W/ SIP FASTENERS @ 10" O.C OR
5 PER 4' PANEL WIDTH. TYPICAL UNLESS
OTHERWISE NOTED. REQUIRED - MIN.
2" EMBEDMENT INTO ALL TIMBERS.

TIMBER FRAME MEMBER.

NOTE: ALL RED DOTS - APPLY CONTINUOUS
¾" DIA. BEAD OF MASTIC SEALANT
BETWEEN 2x MEMBER & PANEL FOAM.

[PANEL TYPE: STRUCTURAL PANEL APPLIED DIRECTLY TO THE FRAME]

PANEL RAKE CONNECTION DETAIL - TYPE #3
SCALE: 1" = 1'-0"



Foard
P A N E L
i n c o r p o r a t e d
P.O. Box 185 , West Chesterfield, NH 03466
(603) 256 - 8800

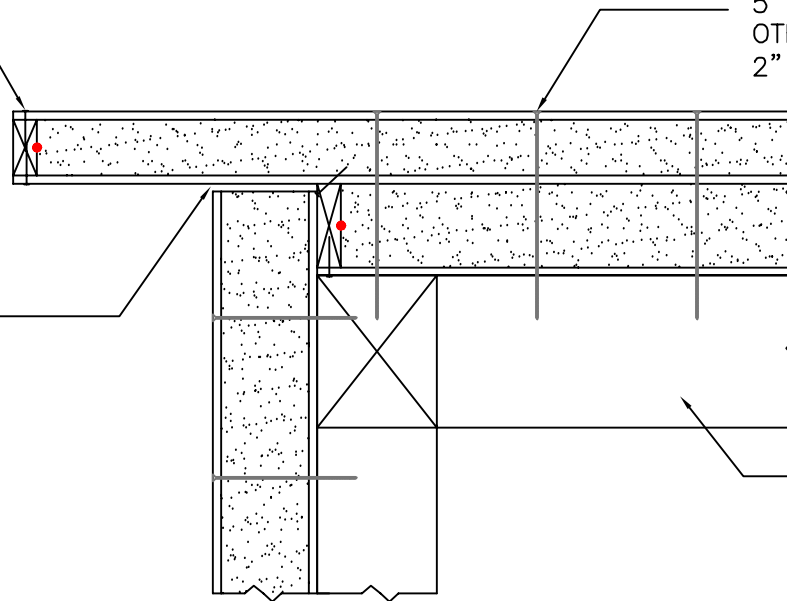
PENTALAM RAKE ATTACHMENT OPTION #2

(DATE: 7-16-2013)

STUFF EXPOSED PANEL EDGE
W/ CONT. 2x MATERIAL.
SECURE OSB PANEL SKINS TO
2x W/ 0.131" DIA. x 2½" GALV.
NAILS @ 6" O.C. OR EQU.

ATTACH PANEL TO TIMBER FRAME MEMBERS
W/ SIP FASTENERS @ 10" O.C. OR
5 PER 4' PANEL WIDTH. TYPICAL UNLESS
OTHERWISE NOTED. REQUIRED - MIN.
2" EMBEDDMENT INTO ALL TIMBERS.

CUT/INSTALL WALL PANELS
SUCH THAT THERE IS A ½"
GAP WHICH IS TO BE FILLED
W/ A CONT. BEAD OF
EXPANDING FOAM SEALANT.

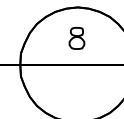


TIMBER FRAME MEMBER.

NOTE: ALL RED DOTS - APPLY CONTINUOUS
⅜" DIA. BEAD OF MASTIC SEALANT
BETWEEN 2x MEMBER & PANEL FOAM.

[PANEL TYPE: STRUCTURAL PANEL APPLIED DIRECTLY TO THE FRAME]

PANEL RAKE CONNECTION DETAIL - TYPE #4
SCALE: 1" = 1'-0"



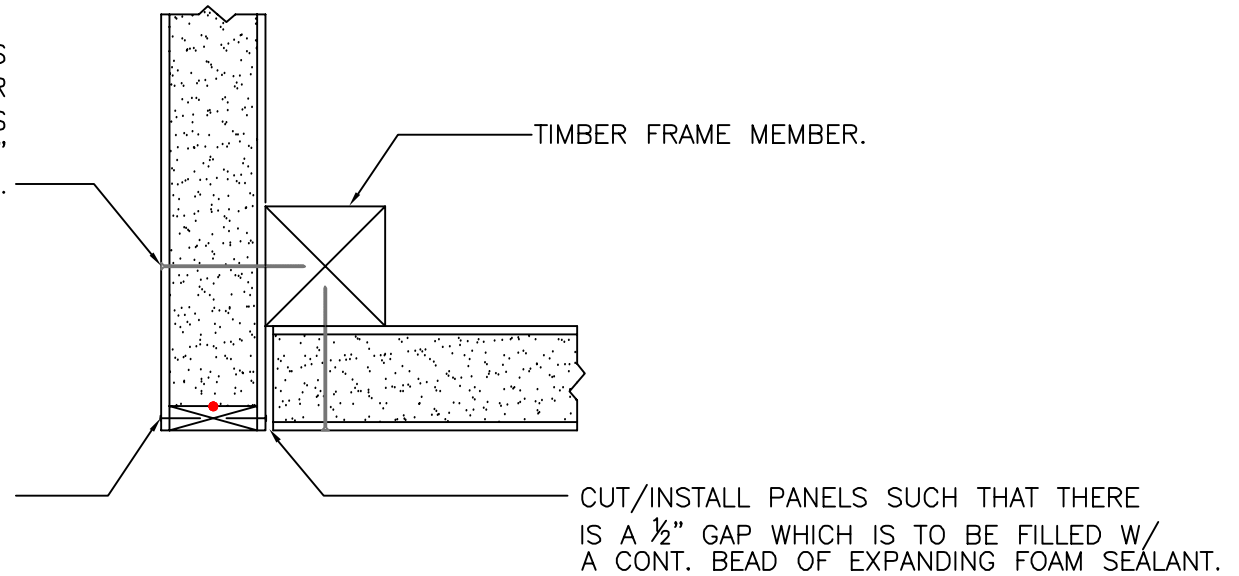
Foard
P A N E L
i n c o r p o r a t e d
P.O. Box 185, West Chesterfield, NH 03466
(603) 256-8800

TYPICAL CORNER CONNECTION DETAIL

(DATE: 7-16-2013)

ATTACH PANEL TO TIMBER FRAME MEMBERS
W/ SIP FASTENERS @ 10" O.C. OR
5 PER 4' PANEL WIDTH. TYPICAL UNLESS
OTHERWISE NOTED. REQUIRED - MIN. 2"
EMBEDMENT INTO ALL TIMBERS.

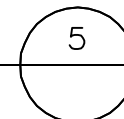
STUFF EXPOSED PANEL EDGE W/
CONT. 2x MATERIAL. SECURE
OSB PANEL SKINS TO 2x
MATERIAL W/ 0.131" DIA. x 2½"
GALV. NAILS @ 6" O.C. OR EQU.



NOTE: ALL RED DOTS - APPLY CONTINUOUS
3/8" DIA. BEAD OF MASTIC SEALANT
BETWEEN 2x MEMBER & PANEL FOAM.

[PANEL TYPE: STRUCTURAL PANEL APPLIED DIRECTLY TO THE FRAME]

PANEL CORNER CONNECTION DETAIL - TYPE #1
SCALE: 1" = 1'-0"



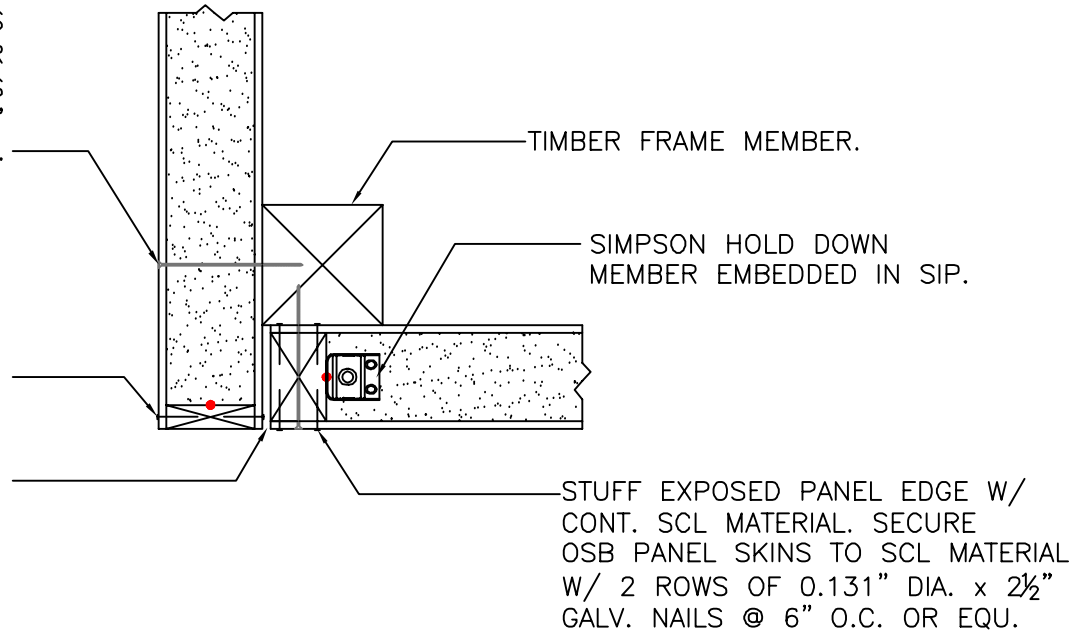
Foard
P A N E L
i n c o r p o r a t e d
P.O. Box 185, West Chesterfield, NH 03466
(603) 256-8800

CORNER CONNECTION W/ HOLD-DOWN (DATE: 7-16-2013)

ATTACH PANEL TO TIMBER FRAME MEMBERS
W/ SIP FASTENERS @ 10" O.C. OR
5 PER 4' PANEL WIDTH. TYPICAL UNLESS
OTHERWISE NOTED. REQUIRED - MIN. 2"
EMBEDMENT INTO ALL TIMBERS.

STUFF EXPOSED PANEL EDGE W/
CONT. 2x MATERIAL. SECURE
OSB PANEL SKINS TO 2x
MATERIAL W/ 0.131" DIA. x 2½"
GALV. NAILS @ 6" O.C. OR EQU.

CUT/INSTALL PANELS SUCH THAT THERE
IS A ½" GAP WHICH IS TO BE FILLED W/
A CONT. BEAD OF EXPANDING FOAM SEALANT.



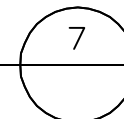
STUFF EXPOSED PANEL EDGE W/
CONT. SCL MATERIAL. SECURE
OSB PANEL SKINS TO SCL MATERIAL
W/ 2 ROWS OF 0.131" DIA. x 2½"
GALV. NAILS @ 6" O.C. OR EQU.

NOTE: ASSEMBLE PANEL SECTIONS ON GROUND PRIOR TO
CRAINING INTO PLACE TO ENSURE INTERIOR OSB SKIN
GETS FASTENED TO STRUCTURAL MEMBER EMBEDDED IN PANEL.

NOTE: ALL RED DOTS - APPLY CONTINUOUS
⅜" DIA. BEAD OF MASTIC SEALANT
BETWEEN 2x MEMBER & PANEL FOAM.

[PANEL TYPE: STRUCTURAL PANEL APPLIED DIRECTLY TO THE FRAME]

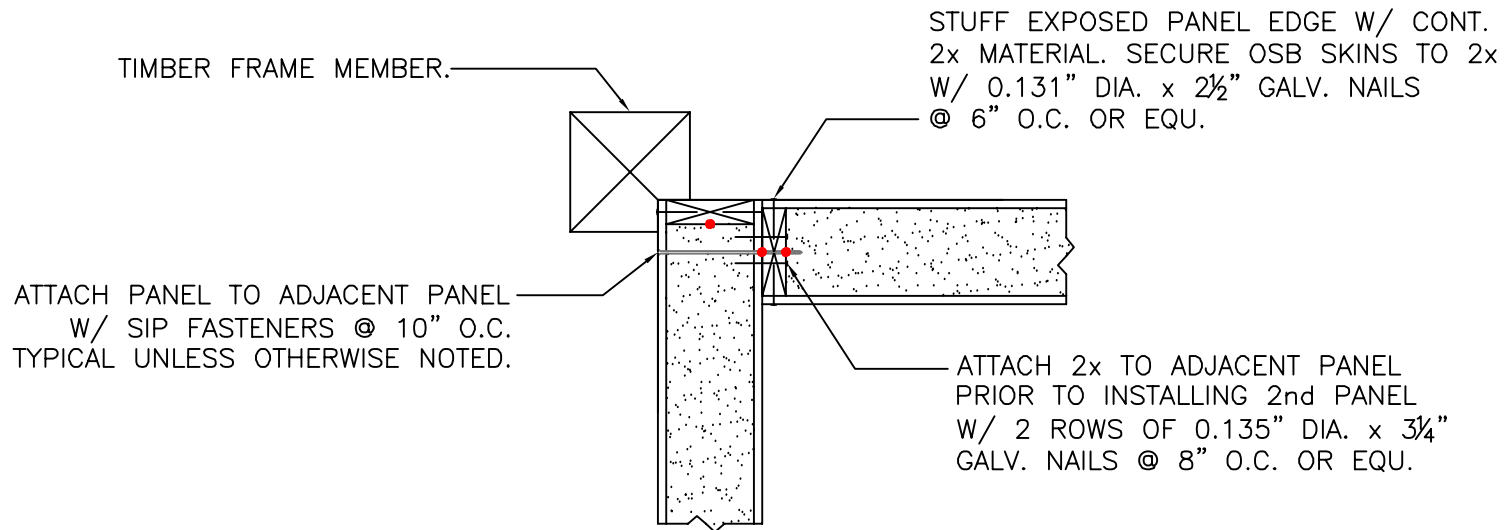
PANEL CORNER CONNECTION DETAIL - TYPE #3
SCALE: 1" = 1'-0"



Foard
P A N E L
i n c o r p o r a t e d
P.O. Box 185, West Chesterfield, NH 03466
(603) 256-8800

INSIDE STRUCTURAL CORNER CONNECTION

(DATE: 7-16-2013)

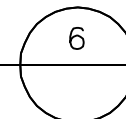


NOTE: ASSEMBLE PANEL SECTIONS ON GROUND PRIOR TO CRAINING INTO PLACE TO ENSURE INTERIOR OSB/DRYWALL SKINS GET FASTENED TO 2x EMBEDDED IN PANEL.

NOTE: ALL RED DOTS - APPLY CONTINUOUS ⅜" DIA. BEAD OF MASTIC SEALANT BETWEEN 2x MEMBER & PANEL FOAM.

PANEL TYPE: STRUCTURAL PANEL APPLIED DIRECTLY TO THE FRAME

PANEL CORNER CONNECTION DETAIL - TYPE #2
SCALE: 1" = 1'-0"

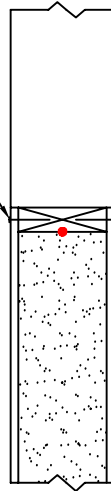


Foard
P A N E L
i n c o r p o r a t e d

P.O. Box 185, West Chesterfield, NH 03466
(603) 256-8800

ROUGH OPENING (DATE: 7-16-2013)

SECURE OSB PANEL SKINS TO
2x MATERIAL W/ 0.131" DIA. x 2½"
GALV. NAILS @ 6" O.C. OR EQU.



NOTE: ALL RED DOTS – APPLY CONTINUOUS
¾" DIA. BEAD OF MASTIC SEALANT
BETWEEN 2x MEMBER & PANEL FOAM.

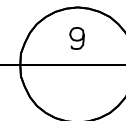
HEADER & SILL BLOCKING TO RUN BY VERTICAL JACKS

ALL ROUGH OPENING BLOCKING MUST BE RUN CONT.

LEAVE DOOR JACKS TEMPORARLY UNFASTENED SO THAT
ELECTRICAL WIRES CAN BE RUN BETWEEN JACK & PANEL FOAM

[PANEL TYPE: STRUCTURAL PANEL APPLIED DIRECTLY TO THE FRAME]

PANEL ROUGH OPENING EDGE DETAIL
SCALE: 1" = 1'-0"



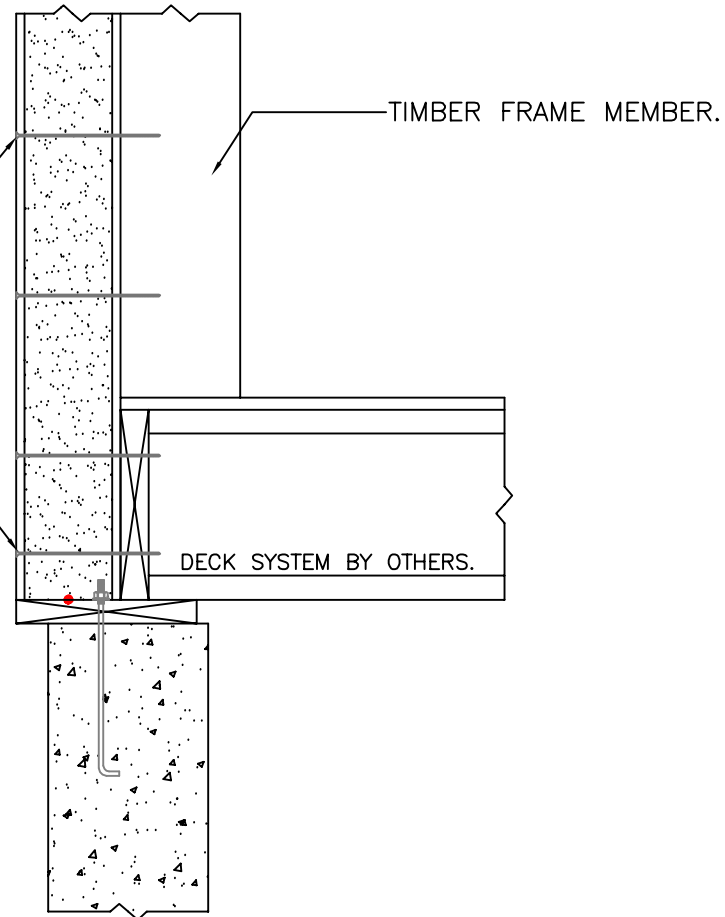
Foard
P A N E L
i n c o r p o r a t e d
P.O. Box 185 , West Chesterfield , NH 03466
(603) 256 - 8800

INSULATED DECK SILL CONNECTION

(DATE: 7-16-2013)

ATTACH PANEL TO TIMBER FRAME MEMBERS
W/ SIP FASTENERS @ 10" O.C. OR
5 PER 4' PANEL WIDTH. TYPICAL UNLESS
OTHERWISE NOTED. REQUIRED - MIN. 2"
EMBEDMENT INTO ALL TIMBERS.

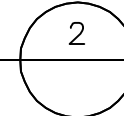
ATTACH PANEL TO DECK SYSTEM
W/ 2 ROWS OF SIP FASTENERS
@ 10" O.C. OR 5 PER 4' PANEL WIDTH.
TYPICAL UNLESS OTHERWISE NOTED.



NOTE: ALL RED DOTS - APPLY CONTINUOUS
 $\frac{3}{8}$ " DIA. BEAD OF MASTIC SEALANT
BETWEEN 2x MEMBER & PANEL FOAM.

[PANEL TYPE: STRUCTURAL PANEL APPLIED DIRECTLY TO THE FRAME]

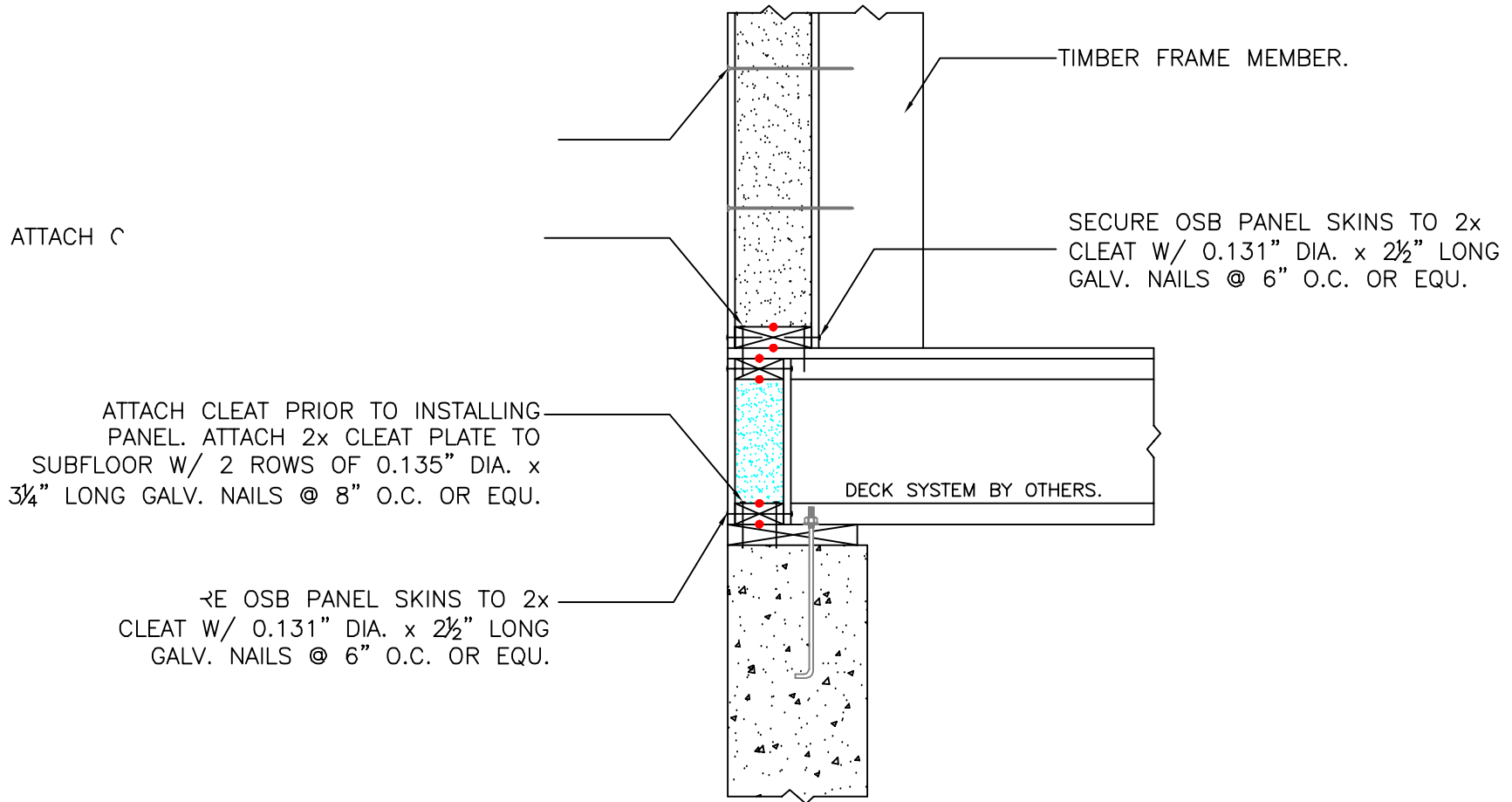
PANEL SILL CONNECTION - TYPE #2
SCALE: 1" = 1'-0"



Foard
P A N E L
i n c o r p o r a t e d
P.O. Box 185, West Chesterfield, NH 03466
(603) 256-8800

RIM PANEL DECK SILL CONNECTION

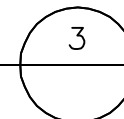
(DATE: 7-16-2013)



NOTE: ALL RED DOTS - APPLY CONTINUOUS 3/8" DIA. BEAD OF MASTIC SEALANT BETWEEN 2x MEMBER & PANEL FOAM.

PANEL TYPE: STRUCTURAL PANEL APPLIED DIRECTLY TO THE FRAME

PANEL SILL CONNECTION - TYPE #3
SCALE: 1" = 1'-0"



Foard
P A N E L
i n c o r p o r a t e d
P.O. Box 185, West Chesterfield, NH 03466
(603) 256-8800

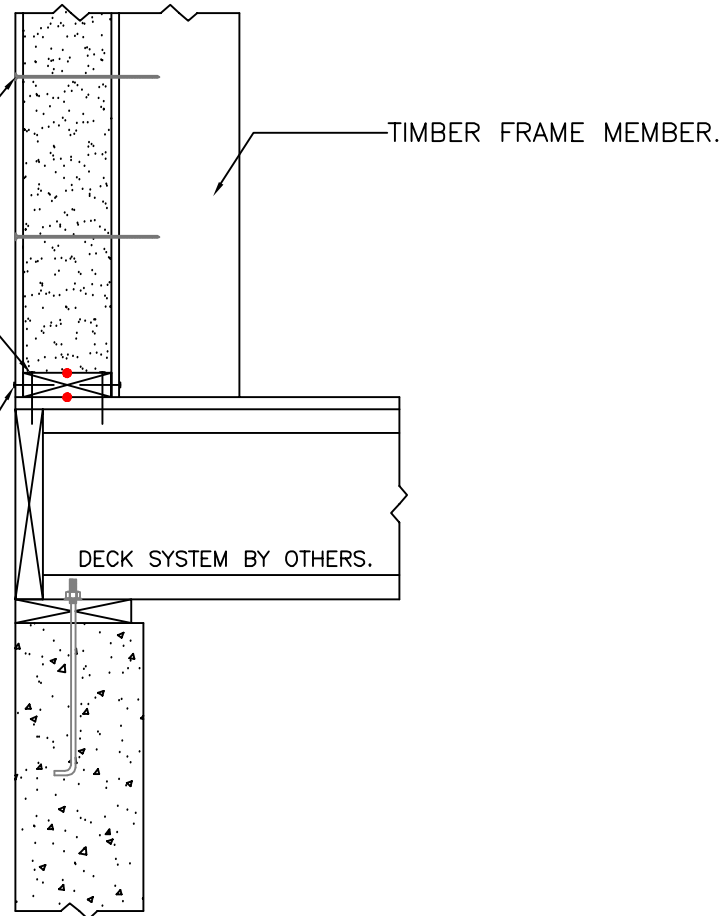
STANDARD DECK SILL CONNECTION

(DATE: 7-16-2013)

ATTACH PANEL TO TIMBER FRAME MEMBERS
W/ SIP FASTENERS @ 10" O.C. OR
5 PER 4' PANEL WIDTH. TYPICAL UNLESS
OTHERWISE NOTED. REQUIRED - MIN. 2"
EMBEDMENT INTO ALL TIMBERS.

ATTACH CLEAT PRIOR TO INSTALLING PANEL
INTO PLACE. ATTACH 2x CLEAT PLATE TO
SUBFLOOR W/ 2 ROWS OF 0.135" DIA. x
3/4" LONG GALV. NAILS @ 8" O.C. OR EQU.

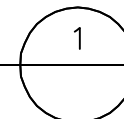
SECURE OSB PANEL SKINS TO 2x
CLEAT W/ 0.131" DIA. x 2 1/2" LONG
GALV. NAILS @ 6" O.C. OR EQU.



NOTE: ALL RED DOTS - APPLY CONTINUOUS
3/8" DIA. BEAD OF MASTIC SEALANT
BETWEEN 2x MEMBER & PANEL FOAM.

[PANEL TYPE: STRUCTURAL PANEL APPLIED DIRECTLY TO THE FRAME]

PANEL SILL CONNECTION - TYPE #1
SCALE: 1" = 1'-0"



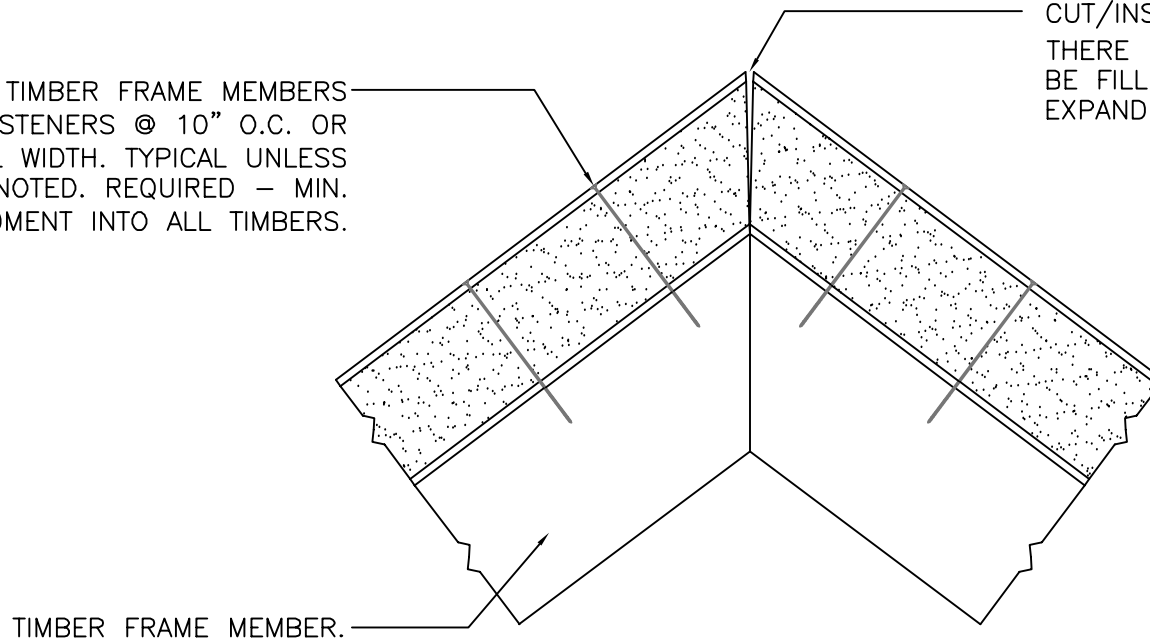
Foard
P A N E L
i n c o r p o r a t e d
P.O. Box 185, West Chesterfield, NH 03466
(603) 256-8800

TYPICAL RIDGE ATTACHMENT

(DATE: 7-16-2013)

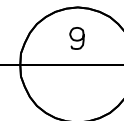
ATTACH PANEL TO TIMBER FRAME MEMBERS
W/ SIP FASTENERS @ 10" O.C. OR
5 PER 4' PANEL WIDTH. TYPICAL UNLESS
OTHERWISE NOTED. REQUIRED - MIN.
2" EMBEDDMENT INTO ALL TIMBERS.

CUT/INSTALL ROOF PANELS SUCH THAT
THERE IS A 1/2" GAP WHICH IS TO
BE FILLED W/ A CONT. BEAD OF
EXPANDING FOAM SEALANT.



[PANEL TYPE: STRUCTURAL PANEL APPLIED DIRECTLY TO THE FRAME]

PANEL RIDGE CONNECTION - TYPE #1
SCALE: 1" = 1'-0"



Foard
P A N E L
i n c o r p o r a t e d
P.O. Box 185, West Chesterfield, NH 03466
(603) 256-8800

STRUCTURAL RIDGE ATTACHMENT

(DATE: 7-16-2013)

STUFF EXPOSED RIDGE W/ LVL BEVELED BLOCKING MATERIAL. ATTACH LVL'S TO EACH OTHER W/ SIP SCREWS @ 10" O.C. OR 5 PER 4' PANEL WIDTH ACROSS THE ENTIRE RIDGE LENGTH.

SECURE OSB PANEL SKINS TO BEVELED LVL MATERIAL W/ 0.131" DIA. x 2½" GALV. NAILS @ 6" O.C. OR EQU. PRIOR TO CRAINING INTO PLACE.

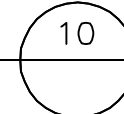
ATTACH PANEL TO TIMBER FRAME MEMBERS W/ SIP FASTENERS @ 10" O.C. OR 5 PER 4' PANEL WIDTH. TYPICAL UNLESS OTHERWISE NOTED. REQUIRED - MIN. 2" EMBEDDMENT INTO ALL TIMBERS.

TIMBER FRAME MEMBER.

NOTE: ALL RED DOTS - APPLY CONTINUOUS 3/8" DIA. BEAD OF MASTIC SEALANT BETWEEN 2x MEMBER & PANEL FOAM.

[PANEL TYPE: STRUCTURAL PANEL APPLIED DIRECTLY TO THE FRAME]

PANEL RIDGE CONNECTION - TYPE #2
SCALE: 1" = 1'-0"



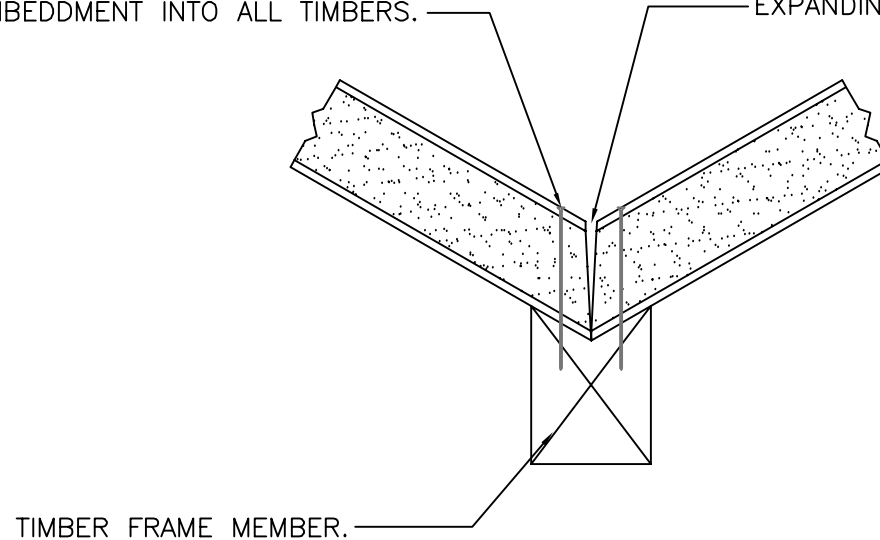
Foard
P A N E L
i n c o r p o r a t e d
P.O. Box 185, West Chesterfield, NH 03466
(603) 256-8800

TYPICAL VALLEY ATTACHMENT

(DATE: 7-16-2013)

ATTACH PANEL TO TIMBER FRAME MEMBERS
W/ SIP FASTENERS @ 10" O.C. OR
5 PER 4' PANEL WIDTH. TYPICAL UNLESS
OTHERWISE NOTED. REQUIRED - MIN.
2" EMBEDDMENT INTO ALL TIMBERS.

CUT/INSTALL ROOF PANELS SUCH THAT
THERE IS A 1/2" GAP WHICH IS TO
BE FILLED W/ A CONT. BEAD OF
EXPANDING FOAM SEALANT.



[PANEL TYPE: STRUCTURAL PANEL APPLIED DIRECTLY TO THE FRAME]

PANEL VALLEY CONNECTION
SCALE: 1" = 1'-0"

10

Foard
P A N E L
i n c o r p o r a t e d
P.O. Box 185, West Chesterfield, NH 03466
(603) 256-8800