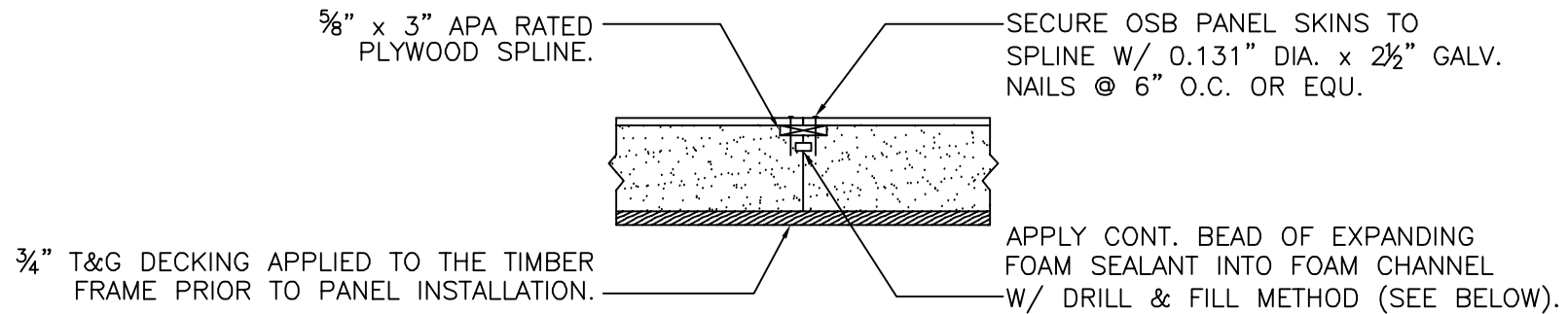


3" WIDE SINGLE SPLINE (DATE: 7-16-2013)

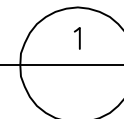


DRILL AND FILL METHOD:

FROM EXTERIOR DRILL 3/8" DIA. HOLES IN PANEL CONNECTION @ 10" O.C. FOR WALL PANELS & @ 6" O.C. FOR ROOF PANELS ALONG ENTIRE LENGTH OF JOINT. INJECT FOAM INTO CAVITY FOR APPR. 5 SECONDS. FOAM MUST BE ALLOWED TO CURE FOR AT LEAST 24 HOURS BEFORE HARDENED FOAM BALLS ARE REMOVED FROM THE EXTERIOR. INJECT FOAM AS CLOSE AS POSSIBLE TO INTERIOR SKIN OF PANEL.

[PANEL TYPE: NAILBASE PANELS APPLIED DIRECTLY TO DECKING]

SINGLE 3" WIDE PANEL SPINE CONNECTION
SCALE: 1" = 1'-0"



Foard
P A N E L
i n c o r p o r a t e d
P.O. Box 185, West Chesterfield, NH 03466
(603) 256-8800

PANEL SPLINE JOINT CONNECTION @ TIMBER

(DATE: 7-16-2013)

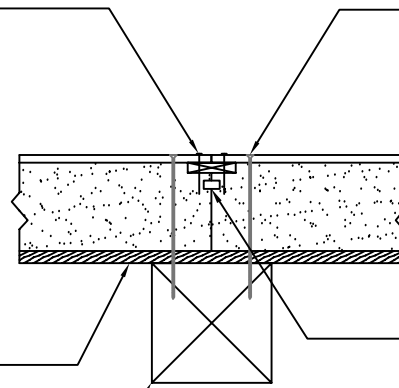
$\frac{5}{8}$ " x 3" APA RATED PLYWOOD SPLINE.
 SECURE OSB PANEL SKINS TO SPLINE
 W/ 0.131" DIA. x 2 $\frac{1}{2}$ " GALV. NAILS
 @ 6" O.C. OR EQU.

ATTACH PANEL TO TIMBER FRAME
 MEMBERS W/ SIP FASTENERS @ 10" O.C.
 OR 5 PER 4' PANEL WIDTH. TYPICAL
 UNLESS OTHERWISE NOTED. REQUIRED -
 MIN. 2" EMBEDDMENT INTO ALL TIMBERS.

$\frac{3}{4}$ " T&G DECKING APPLIED TO TIMBER
 FRAME PRIOR TO PANEL INSTALLATION.

APPLY CONT. BEAD OF EXPANDING
 FOAM SEALANT INTO FOAM CHANNEL
 W/ DRILL & FILL METHOD (SEE BELOW).

TIMBER FRAME MEMBER.

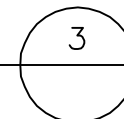


DRILL AND FILL METHOD:

FROM EXTERIOR DRILL $\frac{3}{8}$ " DIA. HOLES IN PANEL CONNECTION @ 10" O.C. FOR WALL
 PANELS & @ 6" O.C. FOR ROOF PANELS ALONG ENTIRE LENGTH OF JOINT. INJECT
 FOAM INTO CAVITY FOR APPR. 5 SECONDS. FOAM MUST BE ALLOWED TO CURE FOR
 AT LEAST 24 HOURS BEFORE HARDENED FOAM BALLS ARE REMOVED FROM THE EXTERIOR.
 INJECT FOAM AS CLOSE AS POSSIBLE TO INTERIOR SKIN OF PANEL.

[PANEL TYPE: NAILBASE PANELS APPLIED DIRECTLY TO DECKING]

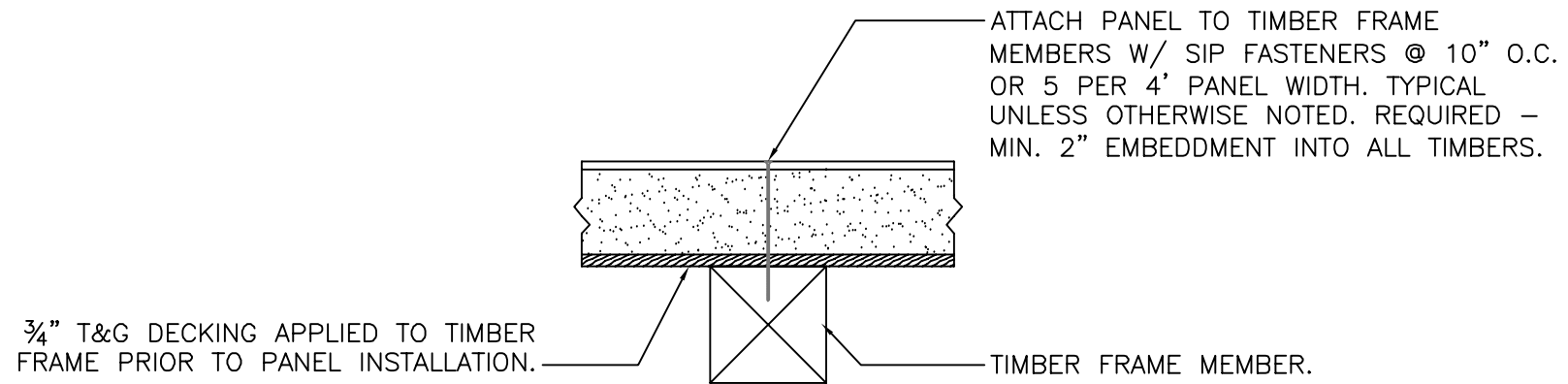
PANEL SPLINE CONNECTION @ TIMBER
 SCALE: 1" = 1'-0"



Foard
 P A N E L
 incorporated
 P.O. Box 185, West Chesterfield, NH 03466
 (603) 256-8800

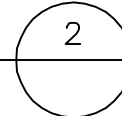
PANEL TO TIMBER CONNECTION

(DATE: 7-16-2013)



PANEL TYPE: NAILBASE PANELS APPLIED DIRECTLY TO DECKING

PANEL TO TIMBER CONNECTION
SCALE: 1" = 1'-0"



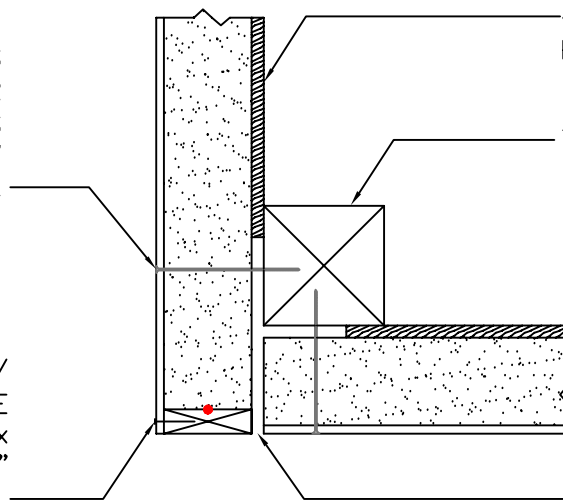
Foard
P A N E L
i n c o r p o r a t e d
P.O. Box 185, West Chesterfield, NH 03466
(603) 256-8800

TYPICAL CORNER CONNECTION DETAIL

(DATE: 7-16-2013)

ATTACH PANEL TO TIMBER FRAME MEMBERS
W/ SIP FASTENERS @ 10" O.C. OR
5 PER 4' PANEL WIDTH. TYPICAL UNLESS
OTHERWISE NOTED. REQUIRED - MIN. 2"
EMBEDMENT INTO ALL TIMBERS.

STUFF EXPOSED PANEL EDGE W/
CONT. 2x MATERIAL. SECURE
OSB PANEL SKINS TO 2x
MATERIAL W/ 0.131" DIA. x 2½"
GALV. NAILS @ 6" O.C. OR EQU.



¾" T&G DECKING APPLIED
PRIOR TO PANEL INSTALLATION.

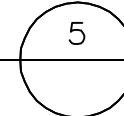
TIMBER FRAME MEMBER.

CUT/INSTALL PANELS SUCH THAT THERE
IS A ½" GAP WHICH IS TO BE FILLED W/
A CONT. BEAD OF EXPANDING FOAM SEALANT.

NOTE: ALL RED DOTS - APPLY CONTINUOUS
¾" DIA. BEAD OF MASTIC SEALANT
BETWEEN 2x MEMBER & PANEL FOAM.

PANEL TYPE: NAILBASE PANELS APPLIED DIRECTLY TO DECKING

PANEL CORNER CONNECTION DETAIL - TYPE #1
SCALE: 1" = 1'-0"



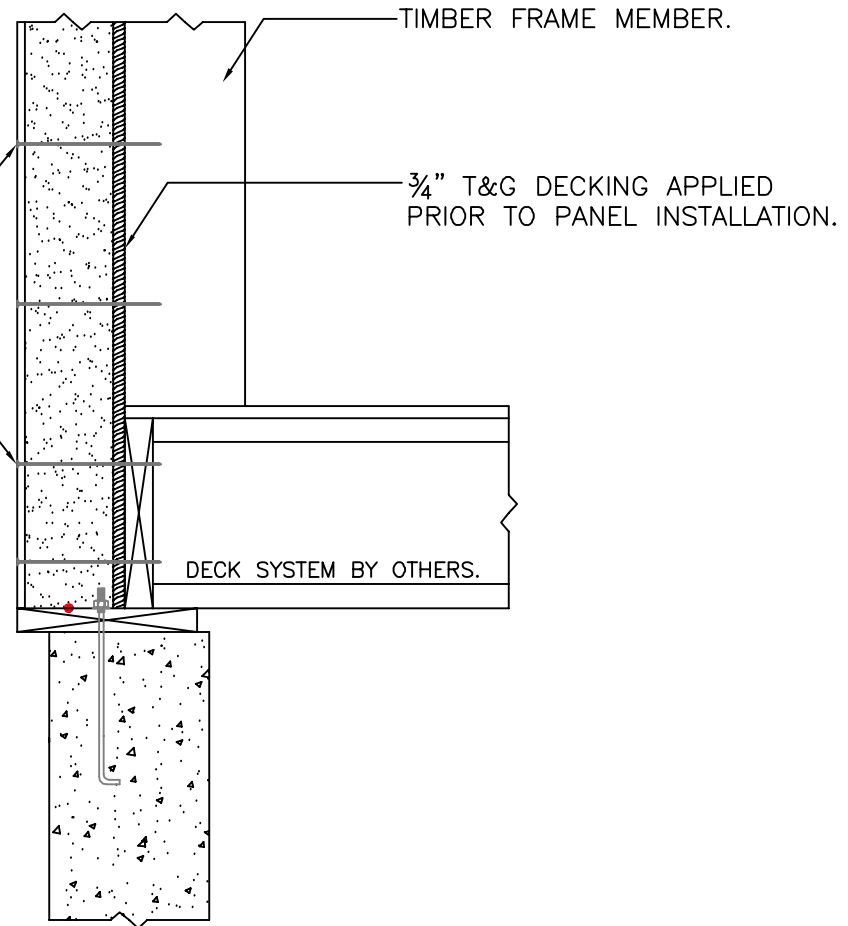
Foard
P A N E L
i n c o r p o r a t e d
P.O. Box 185, West Chesterfield, NH 03466
(603) 256-8800

INSULATED DECK SILL CONNECTION

(DATE: 7-16-2013)

ATTACH PANEL TO TIMBER FRAME MEMBERS
W/ SIP FASTENERS @ 10" O.C. OR
5 PER 4' PANEL WIDTH. TYPICAL UNLESS
OTHERWISE NOTED. REQUIRED - MIN. 2"
EMBEDMENT INTO ALL TIMBERS.

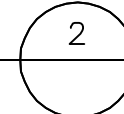
ATTACH PANEL TO DECK SYSTEM
W/ 2 ROWS OF SIP FASTENERS
@ 10" O.C. OR 5 PER 4' PANEL WIDTH.
TYPICAL UNLESS OTHERWISE NOTED.



NOTE: ALL RED DOTS - APPLY CONTINUOUS
 $\frac{3}{8}$ " DIA. BEAD OF MASTIC SEALANT
BETWEEN 2x MEMBER & PANEL FOAM.

PANEL TYPE: NAILBASE PANELS APPLIED DIRECTLY TO DECKING

PANEL SILL CONNECTION - TYPE #2
SCALE: 1" = 1'-0"



Foard
P A N E L
i n c o r p o r a t e d
P.O. Box 185, West Chesterfield, NH 03466
(603) 256-8800

RIM PANEL DECK SILL CONNECTION

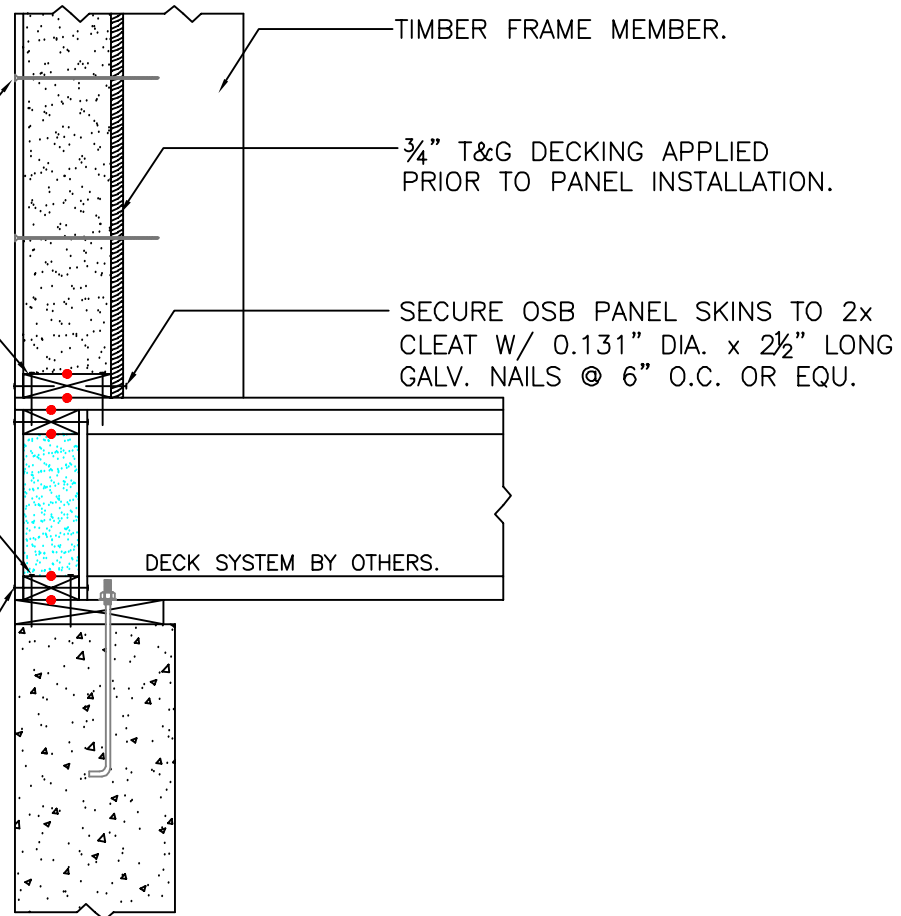
(DATE: 7-16-2013)

ATTACH PANEL TO TIMBER FRAME MEMBERS
W/ SIP FASTENERS @ 10" O.C. OR
5 PER 4' PANEL WIDTH. TYPICAL UNLESS
OTHERWISE NOTED. REQUIRED - MIN. 2"
EMBEDMENT INTO ALL TIMBERS.

ATTACH CLEAT PRIOR TO INSTALLING PANEL
INTO PLACE. ATTACH 2x CLEAT PLATE TO
SUBFLOOR W/ 2 ROWS OF 0.135" DIA. x
3/4" LONG GALV. NAILS @ 8" O.C. OR EQU.

ATTACH CLEAT PRIOR TO INSTALLING
PANEL. ATTACH 2x CLEAT PLATE TO
SUBFLOOR W/ 2 ROWS OF 0.135" DIA. x
3/4" LONG GALV. NAILS @ 8" O.C. OR EQU.

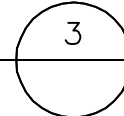
SECURE OSB PANEL SKINS TO 2x
CLEAT W/ 0.131" DIA. x 2 1/2" LONG
GALV. NAILS @ 6" O.C. OR EQU.



NOTE: ALL RED DOTS - APPLY CONTINUOUS
3/8" DIA. BEAD OF MASTIC SEALANT
BETWEEN 2x MEMBER & PANEL FOAM.

PANEL TYPE: NAILBASE PANELS APPLIED DIRECTLY TO DECKING

PANEL SILL CONNECTION - TYPE #3
SCALE: 1" = 1'-0"



Foard
P A N E L
i n c o r p o r a t e d
P.O. Box 185, West Chesterfield, NH 03466
(603) 256-8800

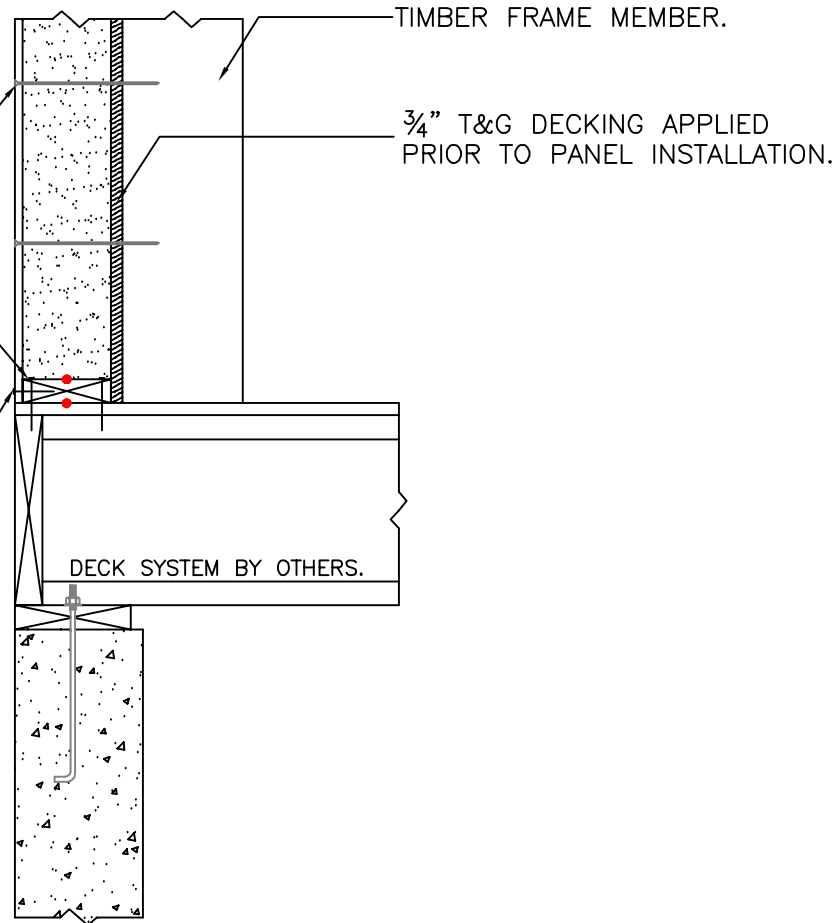
STANDARD DECK SILL CONNECTION

(DATE: 7-16-2013)

ATTACH PANEL TO TIMBER FRAME MEMBERS
W/ SIP FASTENERS @ 10" O.C. OR
5 PER 4' PANEL WIDTH. TYPICAL UNLESS
OTHERWISE NOTED. REQUIRED - MIN. 2"
EMBEDMENT INTO ALL TIMBERS.

ATTACH CLEAT PRIOR TO INSTALLING PANEL
INTO PLACE. ATTACH 2x CLEAT PLATE TO
SUBFLOOR W/ 2 ROWS OF 0.135" DIA. x
3/4" LONG GALV. NAILS @ 8" O.C. OR EQU.

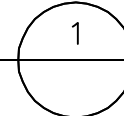
SECURE OSB PANEL SKINS TO 2x
CLEAT W/ 0.131" DIA. x 2 1/2" LONG
GALV. NAILS @ 6" O.C. OR EQU.



NOTE: ALL RED DOTS - APPLY CONTINUOUS
3/8" DIA. BEAD OF MASTIC SEALANT
BETWEEN 2x MEMBER & PANEL FOAM.

[PANEL TYPE: NAILBASE PANELS APPLIED DIRECTLY TO DECKING]

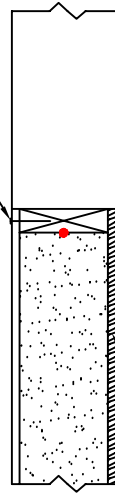
PANEL SILL CONNECTION - TYPE #1
SCALE: 1" = 1'-0"



Foard
P A N E L
i n c o r p o r a t e d
P.O. Box 185, West Chesterfield, NH 03466
(603) 256-8800

ROUGH OPENING (DATE: 7-16-2013)

SECURE OSB PANEL SKINS TO
2x MATERIAL W/ 0.131" DIA. x 2½"
GALV. NAILS @ 6" O.C. OR EQU.



INTERIOR FINISH APPLIED TO FRAME
PRIOR TO PANEL INSTALLATION.

NOTE: ALL RED DOTS – APPLY CONTINUOUS
¾" DIA. BEAD OF MASTIC SEALANT
BETWEEN 2x MEMBER & PANEL FOAM.

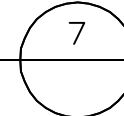
HEADER & SILL BLOCKING TO RUN BY VERTICAL JACKS

ALL ROUGH OPENING BLOCKING MUST BE RUN CONT.

LEAVE DOOR JACKS TEMPORARLY UNFASTENED SO THAT
ELECTRICAL WIRES CAN BE RUN BETWEEN JACK & PANEL FOAM

PANEL TYPE: NAILBASE PANELS APPLIED DIRECTLY TO DECKING

PANEL ROUGH OPENING EDGE DETAIL
SCALE: 1" = 1'-0"



Foard
P A N E L
i n c o r p o r a t e d
P.O. Box 185 , West Chesterfield , NH 03466
(603) 256 - 8800