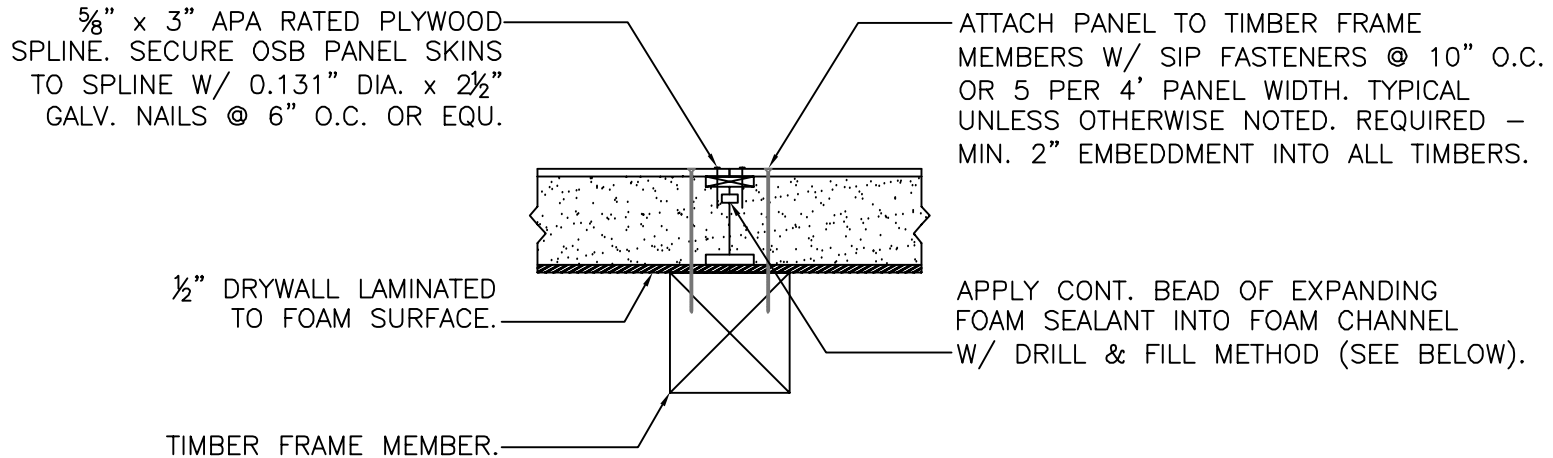


PANEL SPLINE JOINT CONNECTION @ TIMBER

(DATE: 7-16-2013)



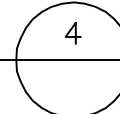
NOTE: IF PANEL IS ALREADY ROUTED FOR DBL. SPLINE
CONDITION THAN INTERIOR SPLINE CHANNEL MAY BE USED AS WIRECHASE
OR THE GAP SHOULD SIMPLY BE FILLED WITH EXPANDING FOAM SELANT.

DRILL AND FILL METHOD:

FROM EXTERIOR DRILL 3/8" DIA. HOLES IN PANEL CONNECTION @ 10" O.C. FOR WALL
PANELS & @ 6" O.C. FOR ROOF PANELS ALONG ENTIRE LENGTH OF JOINT. INJECT
FOAM INTO CAVITY FOR APPR. 5 SECONDS. FOAM MUST BE ALLOWED TO CURE FOR
AT LEAST 24 HOURS BEFORE HARDENED FOAM BALLS ARE REMOVED FROM THE EXTERIOR.
INJECT FOAM AS CLOSE AS POSSIBLE TO INTERIOR SKIN OF PANEL.

PANEL TYPE: CURTAIN WALL PANELS APPLIED DIRECTLY TO THE FRAME

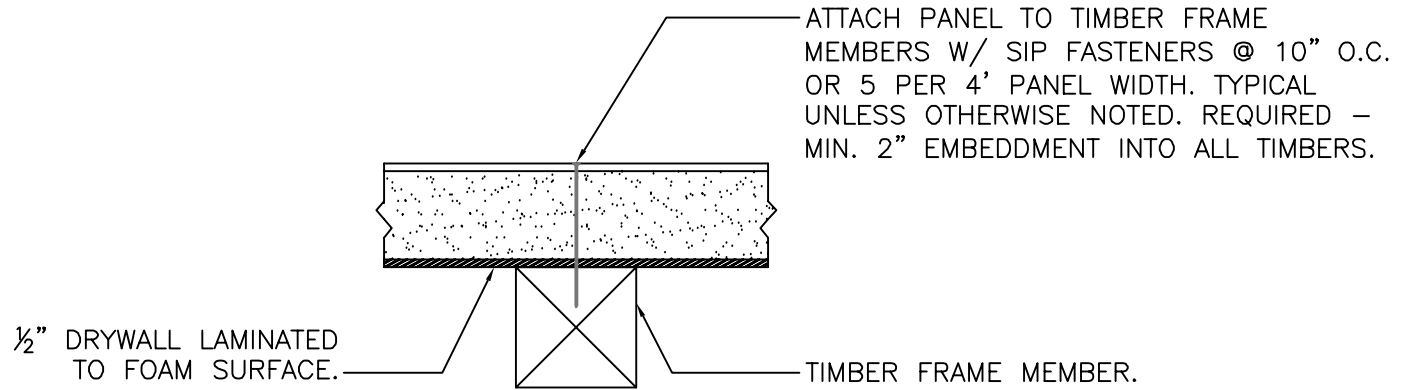
SINGLE 3" WIDE PANEL SPLINE CONNECTION @ TIMBER
SCALE: 1" = 1'-0"



Foard
P A N E L
i n c o r p o r a t e d
P.O. Box 185 , West Chesterfield , NH 03466
(603) 256 - 8800

PANEL TO TIMBER CONNECTION

(DATE: 7-16-2013)



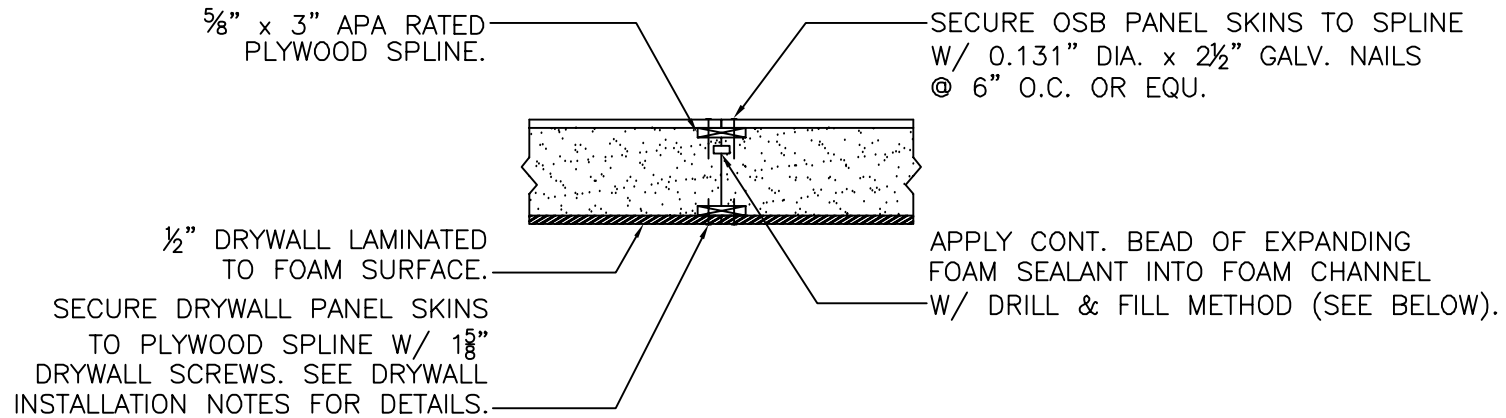
PANEL TYPE: CURTAIN WALL PANELS APPLIED DIRECTLY TO THE FRAME

PANEL TO TIMBER CONNECTION
SCALE: 1" = 1'-0"

3

Foard
P A N E L
i n c o r p o r a t e d
P.O. Box 185, West Chesterfield, NH 03466
(603) 256-8800

3" WIDE DBL. SPLINE (DATE: 7-16-2013)

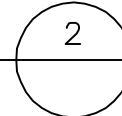


DRILL AND FILL METHOD:

FROM EXTERIOR DRILL 3/8" DIA. HOLES IN PANEL CONNECTION @ 10" O.C. FOR WALL PANELS & @ 6" O.C. FOR ROOF PANELS ALONG ENTIRE LENGTH OF JOINT. INJECT FOAM INTO CAVITY FOR APPR. 5 SECONDS. FOAM MUST BE ALLOWED TO CURE FOR AT LEAST 24 HOURS BEFORE HARDENED FOAM BALLS ARE REMOVED FROM THE EXTERIOR. INJECT FOAM AS CLOSE AS POSSIBLE TO INTERIOR SKIN OF PANEL.

PANEL TYPE: CURTAIN WALL PANELS APPLIED DIRECTLY TO THE FRAME

DBL. 3" WIDE PANEL SPLINE CONNECTION
SCALE: 1" = 1'-0"



Foard
P A N E L
i n c o r p o r a t e d
P.O. Box 185, West Chesterfield, NH 03466
(603) 256-8800

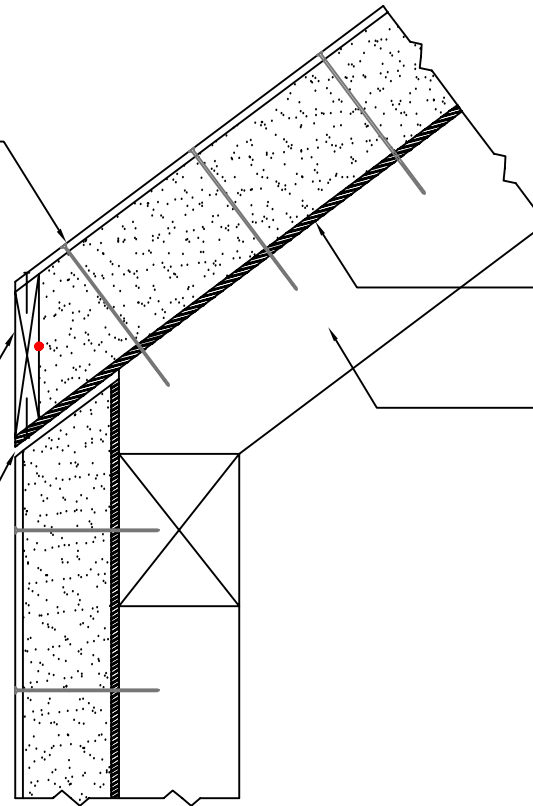
EAVE PLUMB CUT ATTACHMENT

(DATE: 7-16-2013)

ATTACH PANEL TO TIMBER FRAME MEMBERS
W/ SIP FASTENERS @ 10" O.C. OR
5 PER 4' PANEL WIDTH. TYPICAL UNLESS
OTHERWISE NOTED. REQUIRED - MIN.
2" EMBEDDMENT INTO ALL TIMBERS.

STUFF EXPOSED PANEL EDGE W/ CONT.
BEVELED 2x MATERIAL. SECURE OSB/DRYWALL
PANEL SKINS TO 2x W/ 0.131" DIA. x 2½"
GALV. NAILS @ 6" O.C. OR EQU.

CUT/INSTALL WALL PANELS SUCH THAT
THERE IS A ½" GAP WHICH IS TO
BE FILLED W/ A CONT. BEAD OF
EXPANDING FOAM SEALANT.



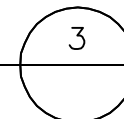
½" DRYWALL LAMINATED TO
PANEL FOAM.

TIMBER FRAME MEMBER.

NOTE: ALL RED DOTS - APPLY CONTINUOUS
⅜" DIA. BEAD OF MASTIC SEALANT
BETWEEN 2x MEMBER & PANEL FOAM.

PANEL TYPE: CURTAIN WALL PANELS APPLIED DIRECTLY TO THE FRAME

PANEL EAVE CONNECTION DETAIL - TYPE #3
SCALE: 1" = 1'-0"



Foard
P A N E L
i n c o r p o r a t e d
P.O. Box 185 , West Chesterfield, NH 03466
(603) 256 - 8800

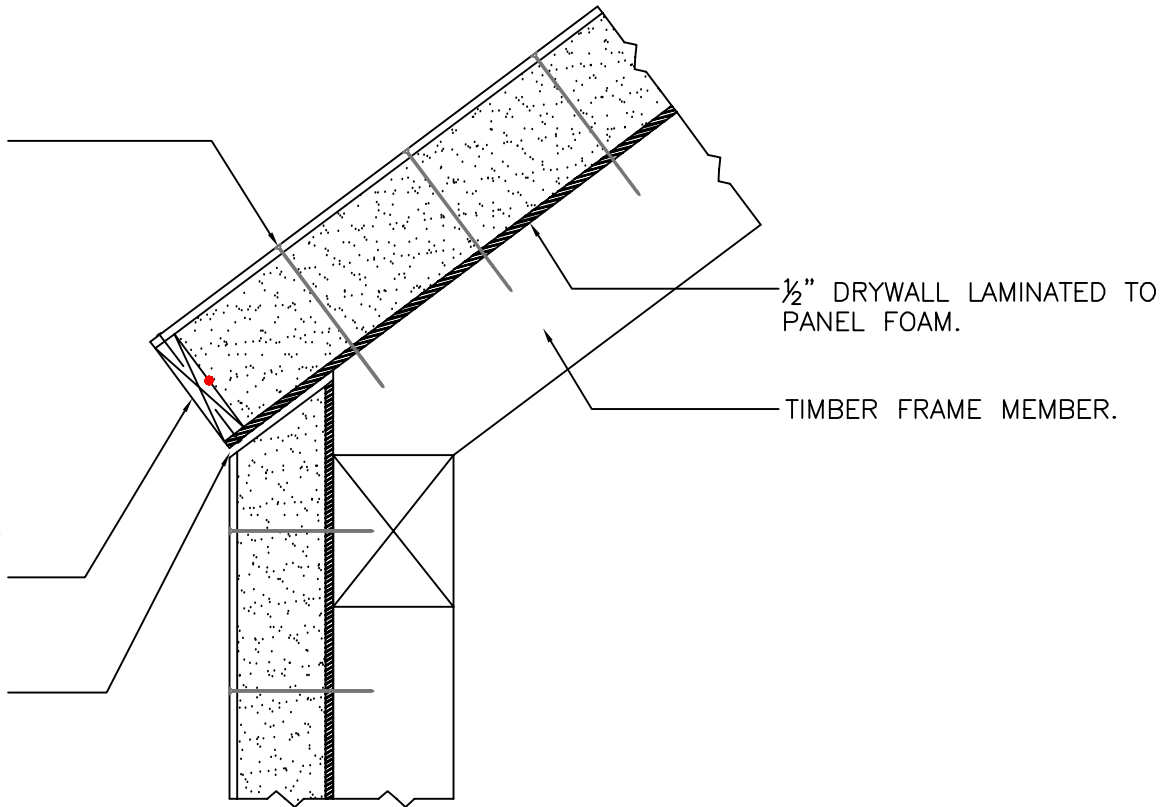
EAVE SQUARE CUT ATTACHMENT

(DATE: 7-16-2013)

ATTACH PANEL TO TIMBER FRAME MEMBERS
W/ SIP FASTENERS @ 10" O.C. OR
5 PER 4' PANEL WIDTH. TYPICAL UNLESS
OTHERWISE NOTED. REQUIRED - MIN.
2" EMBDDMENT INTO ALL TIMBERS.

STUFF EXPOSED PANEL EDGE W/
CONT. 2x MATERIAL. SECURE OSB/DRYWALL
PANEL SKINS TO 2x W/ 0.131" DIA. x 2½"
GALV. NAILS @ 6" O.C. OR EQU.

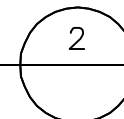
CUT/INSTALL WALL PANELS SUCH THAT
THERE IS A ½" GAP WHICH IS TO
BE FILLED W/ A CONT. BEAD OF
EXPANDING FOAM SEALANT.



NOTE: ALL RED DOTS - APPLY CONTINUOUS
⅜" DIA. BEAD OF MASTIC SEALANT
BETWEEN 2x MEMBER & PANEL FOAM.

PANEL TYPE: CURTAIN WALL PANELS APPLIED DIRECTLY TO THE FRAME

PANEL EAVE CONNECTION DETAIL - TYPE #2
SCALE: 1" = 1'-0"



Foard
P A N E L
i n c o r p o r a t e d
P.O. Box 185 , West Chesterfield, NH 03466
(603) 256 - 8800

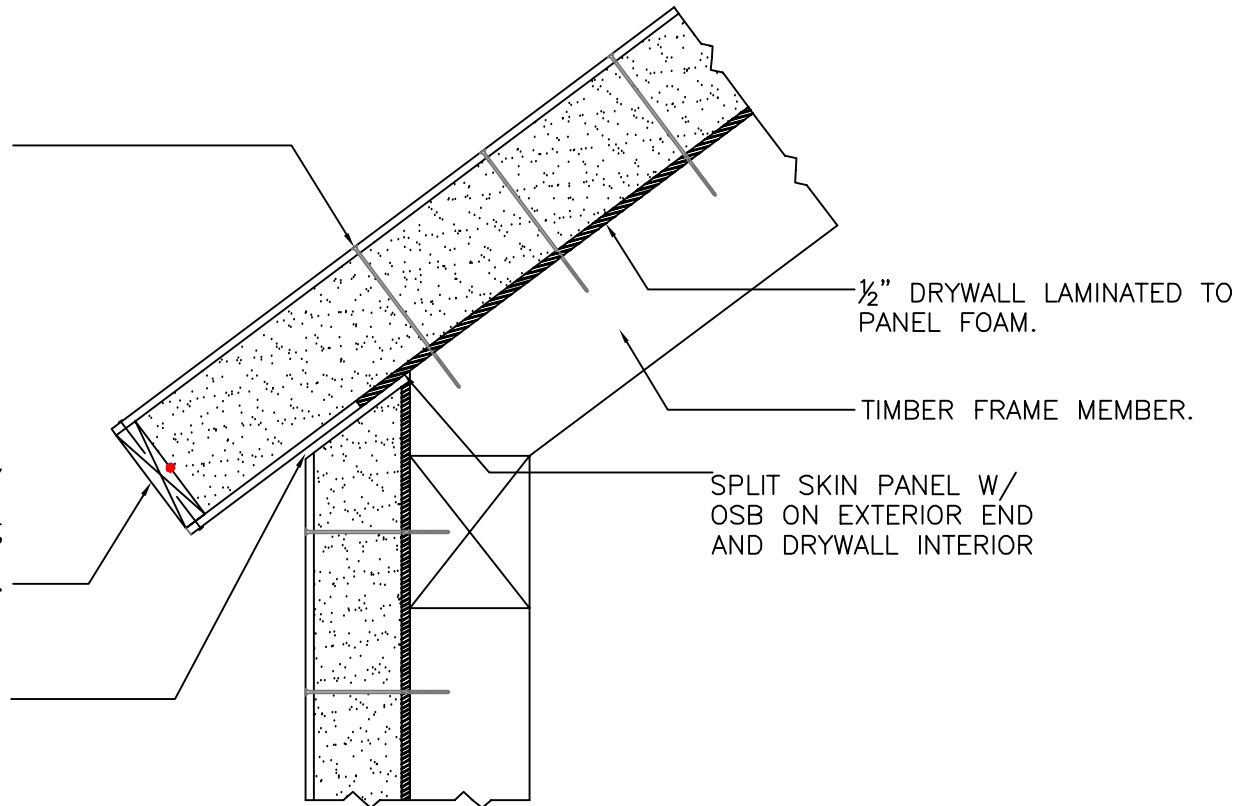
EAVE SQUARE CUT OVERHANG ATTACHMENT

(DATE: 7-16-2013)

ATTACH PANEL TO TIMBER FRAME MEMBERS
W/ SIP FASTENERS @ 10" O.C. OR
5 PER 4' PANEL WIDTH. TYPICAL UNLESS
OTHERWISE NOTED. REQUIRED - MIN.
2" EMBEDDMENT INTO ALL TIMBERS.

STUFF EXPOSED PANEL EDGE W/
CONT. 2x MATERIAL. SECURE OSB/DRYWALL
PANEL SKINS TO 2x W/ 0.131" DIA. X 2½"
GALV. NAILS @ 6" O.C. OR EQU.

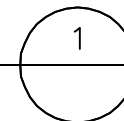
CUT/INSTALL WALL PANELS SUCH THAT
THERE IS A ½" GAP WHICH IS TO
BE FILLED W/ A CONT. BEAD OF
EXPANDING FOAM SEALANT.



NOTE: ALL RED DOTS - APPLY CONTINUOUS
¾" DIA. BEAD OF MASTIC SEALANT
BETWEEN 2x MEMBER & PANEL FOAM.

PANEL TYPE: CURTAIN WALL PANELS APPLIED DIRECTLY TO THE FRAME

PANEL EAVE CONNECTION DETAIL - TYPE #1
SCALE: 1" = 1'-0"



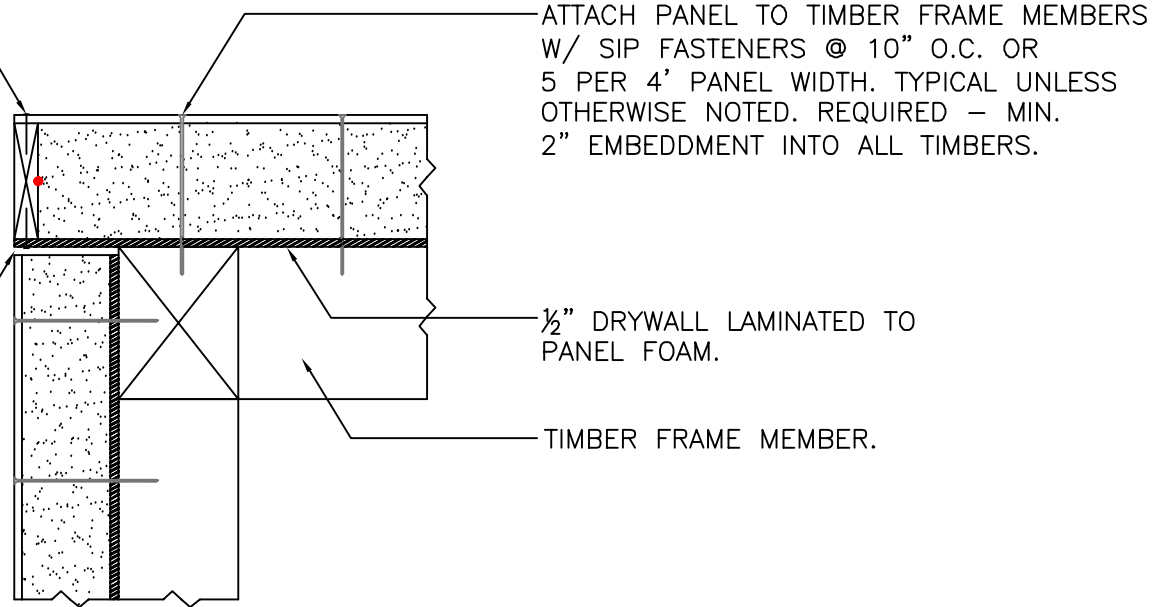
Foard
P A N E L
i n c o r p o r a t e d
P.O. Box 185 , West Chesterfield, NH 03466
(603) 256 - 8800

RAKE ATTACHMENT

(DATE: 7-16-2013)

STUFF EXPOSED PANEL EDGE W/
CONT. 2x MATERIAL. SECURE OSB/
DRYWALL PANEL SKINS TO 2x W/ 0.131" DIA.
x 2½" GALV. NAILS @ 6" O.C. OR EQU.

CUT/INSTALL WALL PANELS SUCH
THAT THERE IS A ½" GAP WHICH
IS TO BE FILLED W/ A CONT. BEAD
OF EXPANDING FOAM SEALANT.



ATTACH PANEL TO TIMBER FRAME MEMBERS
W/ SIP FASTENERS @ 10" O.C. OR
5 PER 4' PANEL WIDTH. TYPICAL UNLESS
OTHERWISE NOTED. REQUIRED - MIN.
2" EMBEDMENT INTO ALL TIMBERS.

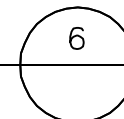
½" DRYWALL LAMINATED TO
PANEL FOAM.

TIMBER FRAME MEMBER.

NOTE: ALL RED DOTS - APPLY CONTINUOUS
¾" DIA. BEAD OF MASTIC SEALANT
BETWEEN 2x MEMBER & PANEL FOAM.

PANEL TYPE: CURTAIN WALL PANELS APPLIED DIRECTLY TO THE FRAME

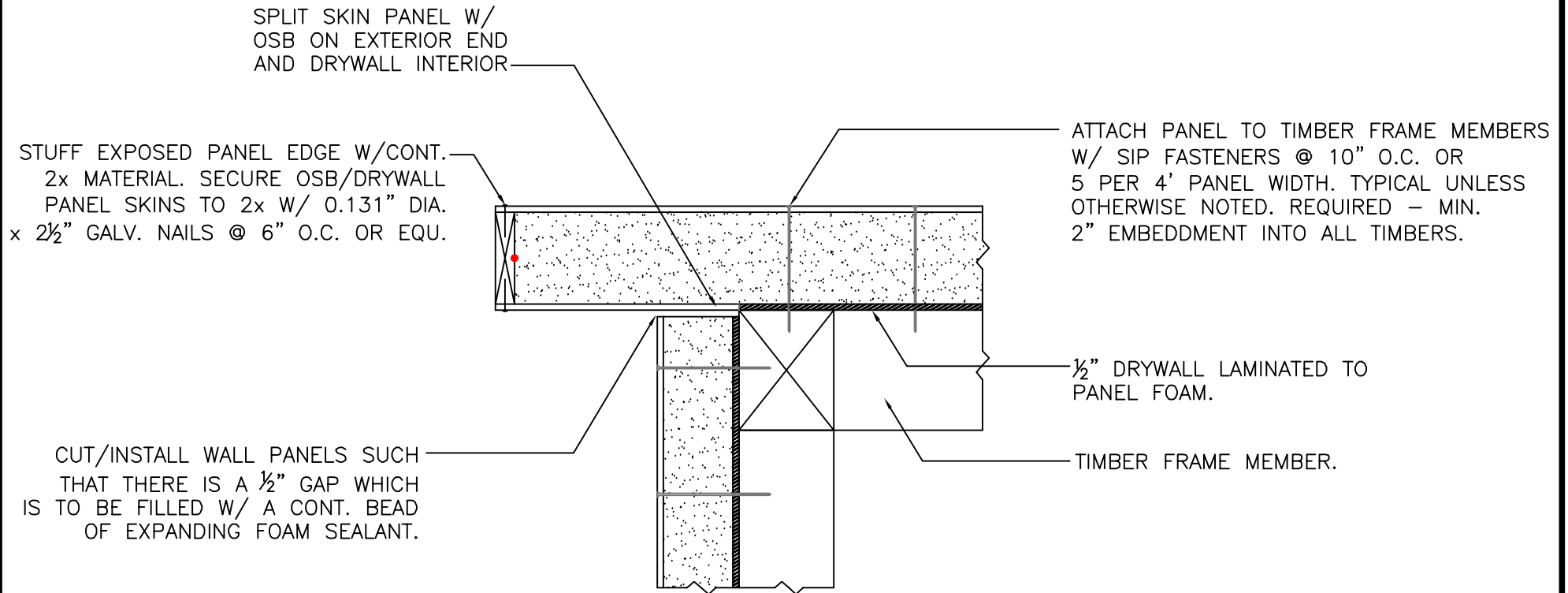
PANEL RAKE CONNECTION DETAIL - TYPE #2
SCALE: 1" = 1'-0"



Foard
P A N E L
i n c o r p o r a t e d
P.O. Box 185, West Chesterfield, NH 03466
(603) 256-8800

RAKE OVERHANG ATTACHMENT

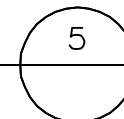
(DATE: 7-16-2013)



NOTE: ALL RED DOTS - APPLY CONTINUOUS
¾" DIA. BEAD OF MASTIC SEALANT
BETWEEN 2x MEMBER & PANEL FOAM.

PANEL TYPE: CURTAIN WALL PANELS APPLIED DIRECTLY TO THE FRAME

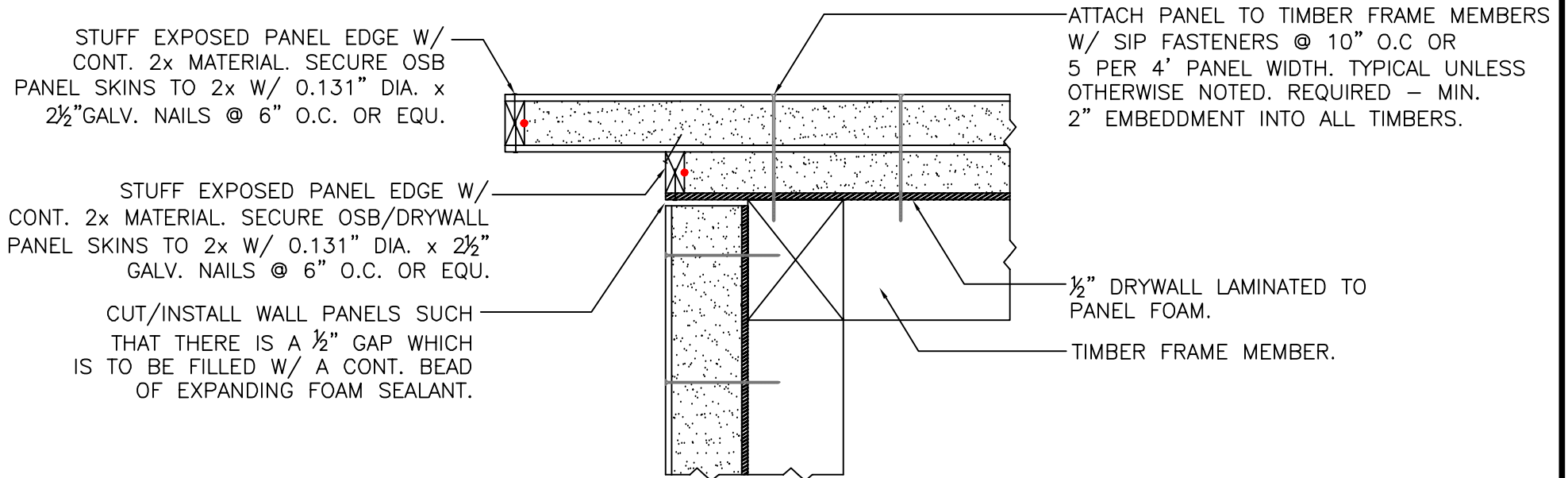
PANEL RAKE CONNECTION DETAIL - TYPE #1
SCALE: 1" = 1'-0"



Foard
P A N E L
i n c o r p o r a t e d
P.O. Box 185 , West Chesterfield , NH 03466
(603) 256 - 8800

PENTALAM RAKE ATTACHMENT

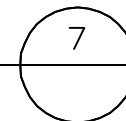
(DATE: 7-16-2013)



NOTE: ALL RED DOTS - APPLY CONTINUOUS ⅜" DIA. BEAD OF MASTIC SEALANT BETWEEN 2x MEMBER & PANEL FOAM.

PANEL TYPE: CURTAIN WALL PANELS APPLIED DIRECTLY TO THE FRAME

PANEL RAKE CONNECTION DETAIL - TYPE #3
SCALE: 1" = 1'-0"



Foard
P A N E L
i n c o r p o r a t e d
P.O. Box 185 , West Chesterfield, NH 03466
(603) 256 - 8800

PENTALAM RAKE ATTACHMENT OPTION #2

(DATE: 7-16-2013)

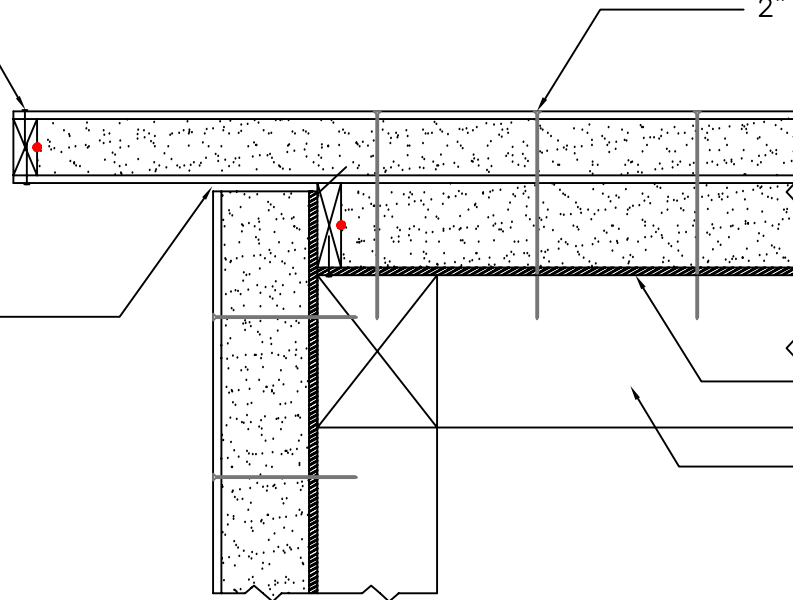
STUFF EXPOSED PANEL EDGE
W/ CONT. 2x MATERIAL.
SECURE OSB PANEL SKINS TO
2x W/ 0.131" DIA. x 2½" GALV.
NAILS @ 6" O.C. OR EQU.

ATTACH PANEL TO TIMBER FRAME MEMBERS
W/ SIP FASTENERS @ 10" O.C. OR
5 PER 4' PANEL WIDTH. TYPICAL UNLESS
OTHERWISE NOTED. REQUIRED - MIN.
2" EMBEDDMENT INTO ALL TIMBERS.

CUT/INSTALL WALL PANELS
SUCH THAT THERE IS A ½"
GAP WHICH IS TO BE FILLED
W/ A CONT. BEAD OF
EXPANDING FOAM SEALANT.

½" DRYWALL LAMINATED TO
PANEL FOAM.

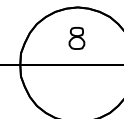
TIMBER FRAME MEMBER.



NOTE: ALL RED DOTS - APPLY CONTINUOUS
3/8" DIA. BEAD OF MASTIC SEALANT
BETWEEN 2x MEMBER & PANEL FOAM.

PANEL TYPE: CURTAIN WALL PANELS APPLIED DIRECTLY TO THE FRAME

PANEL RAKE CONNECTION DETAIL - TYPE #4
SCALE: 1" = 1'-0"



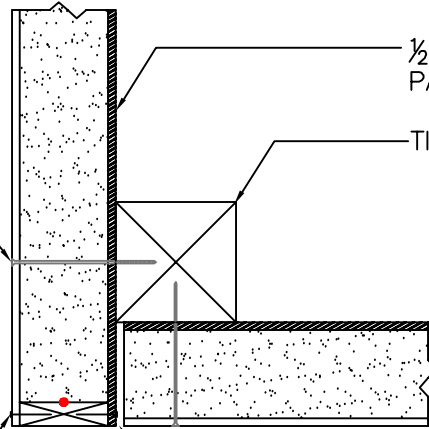
Foard
P A N E L
i n c o r p o r a t e d
P.O. Box 185 , West Chesterfield , NH 03466
(603) 256 - 8800

TYPICAL CORNER CONNECTION DETAIL

(DATE: 7-16-2013)

ATTACH PANEL TO TIMBER FRAME MEMBERS
W/ SIP FASTENERS @ 10" O.C. OR
5 PER 4' PANEL WIDTH. TYPICAL UNLESS
OTHERWISE NOTED. REQUIRED - MIN. 2"
EMBEDMENT INTO ALL TIMBERS.

STUFF EXPOSED PANEL EDGE W/
CONT. 2x MATERIAL. SECURE
OSB/DRYWALL PANEL SKINS TO 2x
MATERIAL W/ 0.131" DIA. x 2½"
GALV. NAILS @ 6" O.C. OR EQU.



½" DRYWALL LAMINATED TO
PANEL FOAM.

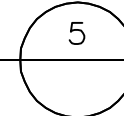
TIMBER FRAME MEMBER.

CUT/INSTALL PANELS SUCH THAT THERE
IS A ½" GAP WHICH IS TO BE FILLED W/
A CONT. BEAD OF EXPANDING FOAM SEALANT.

NOTE: ALL RED DOTS - APPLY CONTINUOUS
¾" DIA. BEAD OF MASTIC SEALANT
BETWEEN 2x MEMBER & PANEL FOAM.

PANEL TYPE: CURTAIN WALL PANELS APPLIED DIRECTLY TO THE FRAME

PANEL CORNER CONNECTION DETAIL- TYPE #1
SCALE: 1" = 1'-0"

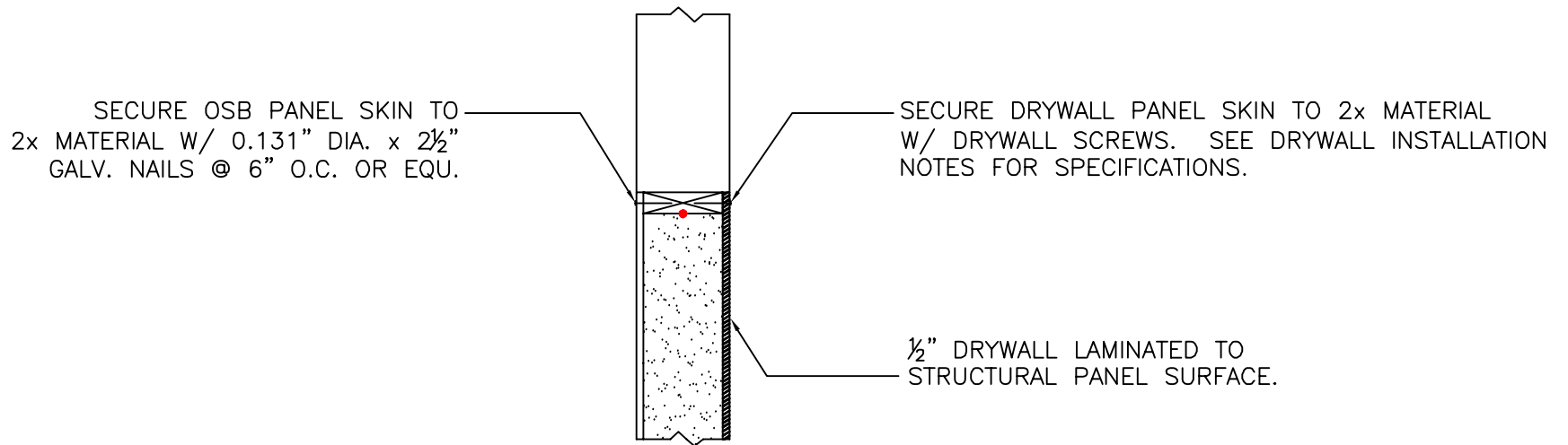


Foard

P A N E L
i n c o r p o r a t e d
P.O. Box 185, West Chesterfield, NH 03466
(603) 256-8800

ROUGH OPENING

(DATE: 7-16-2013)

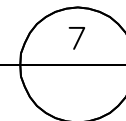


NOTE: ALL RED DOTS - APPLY CONTINUOUS ⅜" DIA. BEAD OF MASTIC SEALANT BETWEEN 2x MEMBER & PANEL FOAM.

HEADER & SILL BLOCKING TO RUN BY VERTICAL JACKS
ALL ROUGH OPENING BLOCKING MUST BE RUN CONT.
LEAVE DOOR JACKS TEMPORARLY UNFASTENED SO THAT ELECTRICAL WIRES CAN BE RUN BETWEEN JACK & PANEL FOAM

PANEL TYPE: CURTAIN WALL PANELS APPLIED DIRECTLY TO THE FRAME

PANEL ROUGH OPENING EDGE DETAIL
SCALE: 1" = 1'-0"



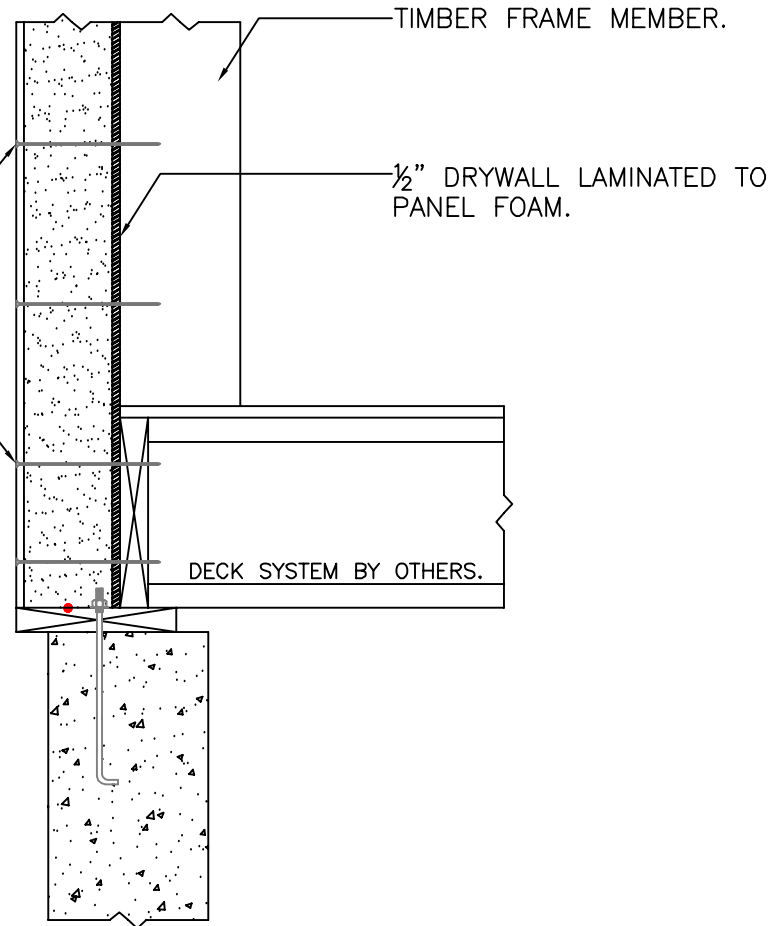
Foard
P A N E L
i n c o r p o r a t e d
P.O. Box 185 , West Chesterfield , NH 03466
(603) 256 - 8800

INSULATED DECK SILL CONNECTION

(DATE: 7-16-2013)

ATTACH PANEL TO TIMBER FRAME MEMBERS
W/ SIP FASTENERS @ 10" O.C. OR
5 PER 4' PANEL WIDTH. TYPICAL UNLESS
OTHERWISE NOTED. REQUIRED - MIN. 2"
EMBEDMENT INTO ALL TIMBERS.

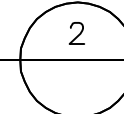
ATTACH PANEL TO DECK SYSTEM
W/ 2 ROWS OF SIP FASTENERS
@ 10" O.C. OR 5 PER 4' PANEL WIDTH.
TYPICAL UNLESS OTHERWISE NOTED.



NOTE: ALL RED DOTS - APPLY CONTINUOUS
 $\frac{3}{8}$ " DIA. BEAD OF MASTIC SEALANT
BETWEEN 2x MEMBER & PANEL FOAM.

PANEL TYPE: CURTAIN WALL PANELS APPLIED DIRECTLY TO THE FRAME

PANEL SILL CONNECTION - TYPE #2
SCALE: 1" = 1'-0"



Foard
P A N E L
i n c o r p o r a t e d
P.O. Box 185, West Chesterfield, NH 03466
(603) 256-8800

RIM PANEL DECK SILL CONNECTION

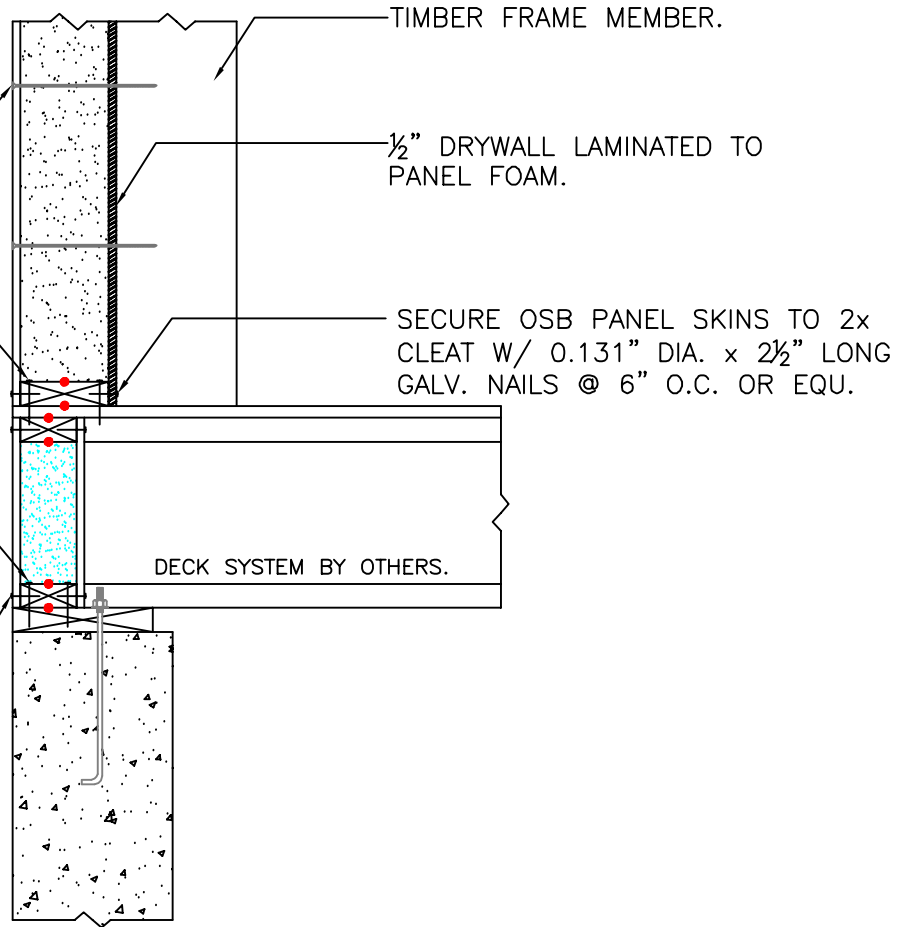
(DATE: 7-16-2013)

ATTACH PANEL TO TIMBER FRAME MEMBERS
W/ SIP FASTENERS @ 10" O.C. OR
5 PER 4' PANEL WIDTH. TYPICAL UNLESS
OTHERWISE NOTED. REQUIRED - MIN. 2"
EMBEDMENT INTO ALL TIMBERS.

ATTACH CLEAT PRIOR TO INSTALLING PANEL
INTO PLACE. ATTACH 2x CLEAT PLATE TO
SUBFLOOR W/ 2 ROWS OF 0.135" DIA. x
3/4" LONG GALV. NAILS @ 8" O.C. OR EQU.

ATTACH CLEAT PRIOR TO INSTALLING
PANEL. ATTACH 2x CLEAT PLATE TO
SUBFLOOR W/ 2 ROWS OF 0.135" DIA. x
3/4" LONG GALV. NAILS @ 8" O.C. OR EQU.

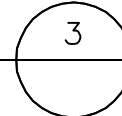
SECURE OSB PANEL SKINS TO 2x
CLEAT W/ 0.131" DIA. x 2 1/2" LONG
GALV. NAILS @ 6" O.C. OR EQU.



NOTE: ALL RED DOTS - APPLY CONTINUOUS
3/8" DIA. BEAD OF MASTIC SEALANT
BETWEEN 2x MEMBER & PANEL FOAM.

PANEL TYPE: CURTAIN WALL PANELS APPLIED DIRECTLY TO THE FRAME

PANEL SILL CONNECTION - TYPE #3
SCALE: 1" = 1'-0"



Foard

P A N E L
i n c o r p o r a t e d
P.O. Box 185, West Chesterfield, NH 03466
(603) 256-8800

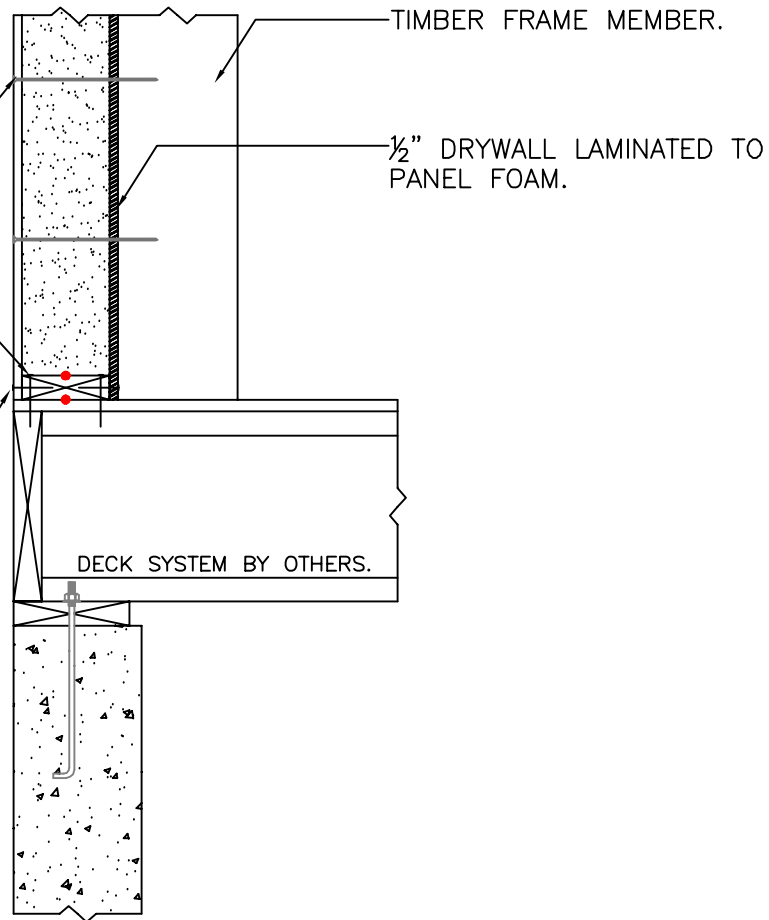
STANDARD DECK SILL CONNECTION

(DATE: 7-16-2013)

ATTACH PANEL TO TIMBER FRAME MEMBERS
W/ SIP FASTENERS @ 10" O.C. OR
5 PER 4' PANEL WIDTH. TYPICAL UNLESS
OTHERWISE NOTED. REQUIRED - MIN. 2"
EMBEDMENT INTO ALL TIMBERS.

ATTACH CLEAT PRIOR TO INSTALLING PANEL
INTO PLACE. ATTACH 2x CLEAT PLATE TO
SUBFLOOR W/ 2 ROWS OF 0.135" DIA. x
3/4" LONG GALV. NAILS @ 8" O.C. OR EQU.

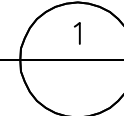
SECURE OSB PANEL SKINS TO 2x
CLEAT W/ 0.131" DIA. x 2 1/2" LONG
GALV. NAILS @ 6" O.C. OR EQU.



NOTE: ALL RED DOTS - APPLY CONTINUOUS
3/8" DIA. BEAD OF MASTIC SEALANT
BETWEEN 2x MEMBER & PANEL FOAM.

PANEL TYPE: CURTAIN WALL PANELS APPLIED DIRECTLY TO THE FRAME

PANEL SILL CONNECTION - TYPE #1
SCALE: 1" = 1'-0"



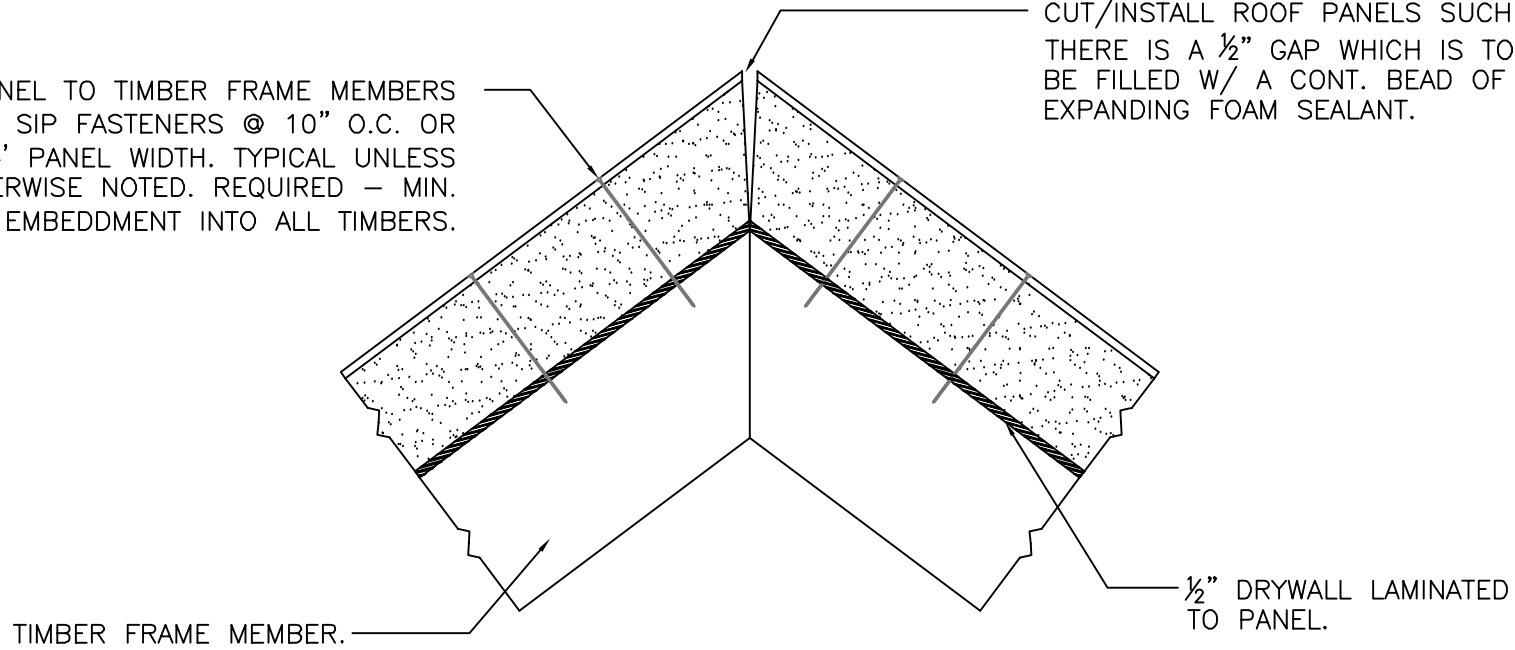
Foard
P A N E L
i n c o r p o r a t e d
P.O. Box 185, West Chesterfield, NH 03466
(603) 256-8800

TYPICAL RIDGE ATTACHMENT

(DATE: 7-16-2013)

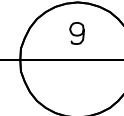
ATTACH PANEL TO TIMBER FRAME MEMBERS
W/ SIP FASTENERS @ 10" O.C. OR
5 PER 4' PANEL WIDTH. TYPICAL UNLESS
OTHERWISE NOTED. REQUIRED - MIN.
2" EMBEDDMENT INTO ALL TIMBERS.

CUT/INSTALL ROOF PANELS SUCH THAT
THERE IS A 1/2" GAP WHICH IS TO
BE FILLED W/ A CONT. BEAD OF
EXPANDING FOAM SEALANT.



PANEL TYPE: CURTAIN WALL PANELS APPLIED DIRECTLY TO THE FRAME

PANEL RIDGE CONNECTION - TYPE #1
SCALE: 1" = 1'-0"



Foard

P A N E L

incorporated

P.O. Box 185, West Chesterfield, NH 03466

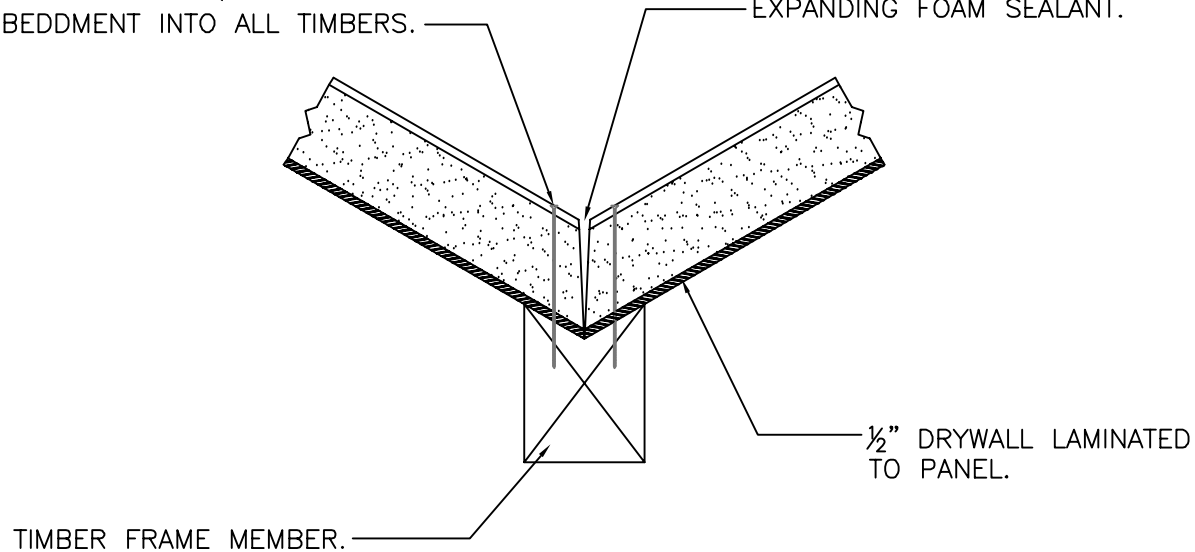
(603) 256-8800

TYPICAL VALLEY ATTACHMENT

(DATE: 7-16-2013)

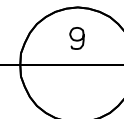
ATTACH PANEL TO TIMBER FRAME MEMBERS
W/ SIP FASTENERS @ 10" O.C. OR
5 PER 4' PANEL WIDTH. TYPICAL UNLESS
OTHERWISE NOTED. REQUIRED - MIN.
2" EMBEDMENT INTO ALL TIMBERS.

CUT/INSTALL ROOF PANELS SUCH THAT
THERE IS A 1/2" GAP WHICH IS TO
BE FILLED W/ A CONT. BEAD OF
EXPANDING FOAM SEALANT.



PANEL TYPE: CURTAIN WALL PANELS APPLIED DIRECTLY TO THE FRAME

PANEL VALLEY CONNECTION
SCALE: 1" = 1'-0"



Foard
P A N E L
i n c o r p o r a t e d
P.O. Box 185 , West Chesterfield , NH 03466
(603) 256 - 8800