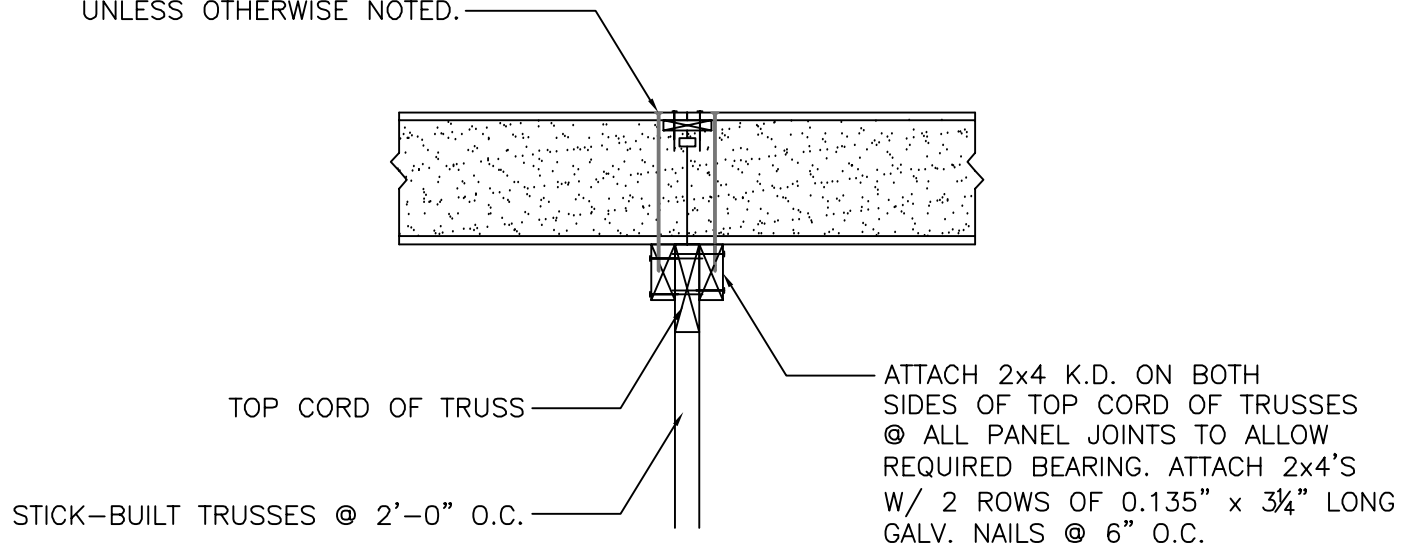


ROOF PANEL TO TRUSS ATTACHMENT DETAIL @ PANEL BUTT JOINT

DATE: (7-17-2013)

ATTACH PANELS TO 2x4's ATTACH TO
TRUSS W/ SIP FASTENERS @ 10" O.C.
OR 5 PER 4' PANEL WIDTH. TYPICAL
UNLESS OTHERWISE NOTED.



ROOF PANEL JOINT TO TRUSS ATTACHMENT
SCALE: 1" = 1'-0"

2

Foard

P A N E L

incorporated
P.O. Box 185, West Chesterfield, NH 03466
(603) 256-8800