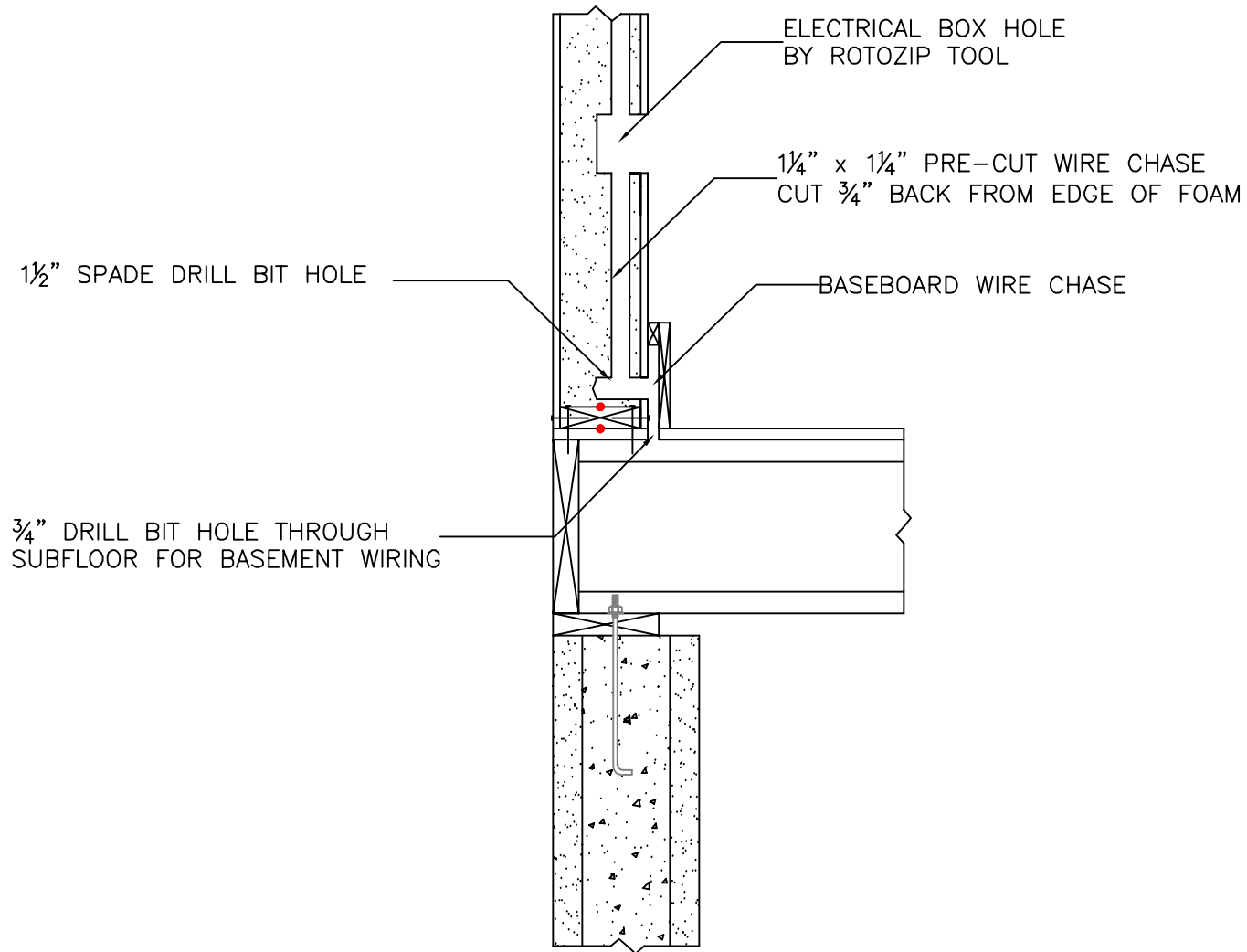
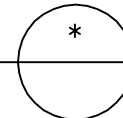


PRE-CUT FOUNDATION WIRING DETAIL

DATE: (7-17-2013)



PRE_CUT WIRING DETAIL
SCALE: 1" = 1'-0"



Foard
P A N E L
i n c o r p o r a t e d
P.O. Box 185 , West Chesterfield , NH 03466
(603) 256 - 8800