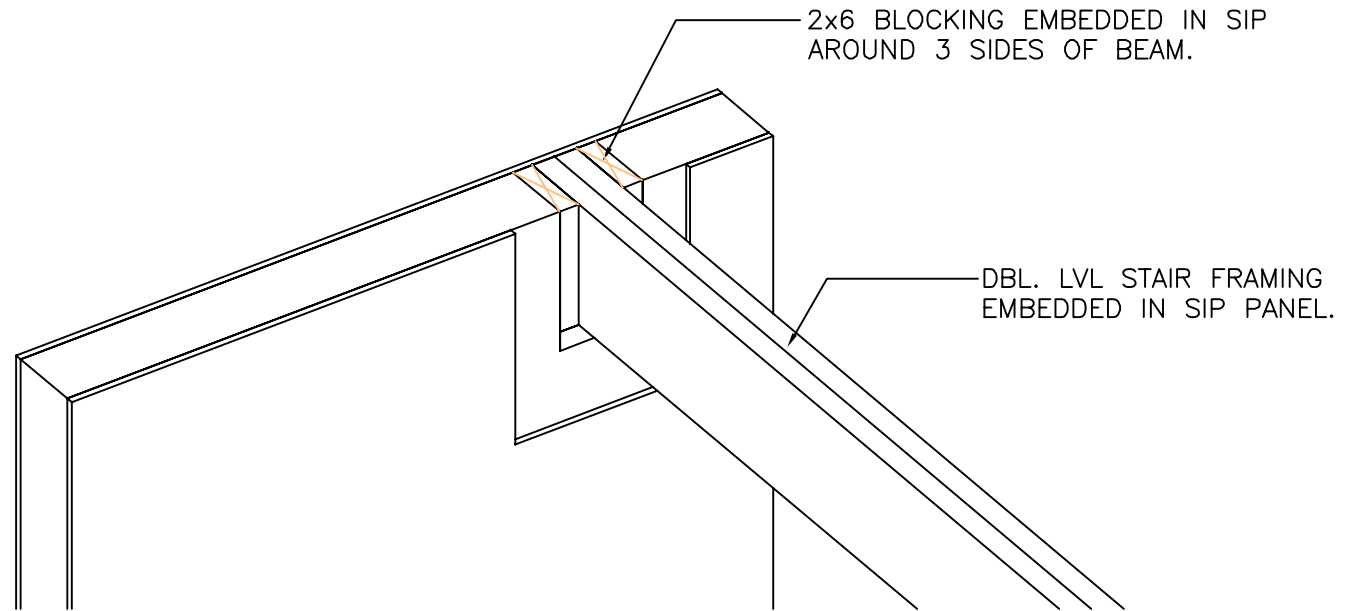


#55

BEAM POCKET PERSPECTIVE DETAIL

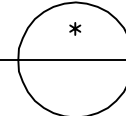


- * INSTALL COLUMN UNDER BEAM (IF REQUIRED) IN PANEL PER TYPICAL DETAILS.
- * CUT OPENING THROUGH INTERIOR SKIN THE SAME SIZE AS THE SUPPORT BEAM.
- * REMOVE AREA OF FOAM LEAVING EXTERIOR SKIN FULLY INTACT, THEN FULL ROUT EDGES OF POCKET.
- * PAD SIDES OF BEAM END W/ 2X BLOCKING SIZED TO FIT INTO PANEL CORE.
- * LAND BEAM INTO POCKET SO THAT 2X BLOCKING KEYS BETWEEN BOTH PANEL SKINS. SECURE OSB PANEL SKINS, BOTH INTERIOR & EXTERIOR TO BLOCKING.
- * USE DRILL & FILL METHOD TO APPLY EXPANDING SEALANT THROUGHOUT ANY CREATED VOIDS.
- * ALSO FASTEN INTO END GRAIN OF SUPPORT BEAM THROUGH EXTERIOR SKINS.

NOTE: INT. PANEL SKIN HELD BACK FOR DRAWING CLARITY.

BEAM POCKET PERSPECTIVE DETAIL

SCALE: 1" = 1'-0"



Foard
P A N E L
i n c o r p o r a t e d
P.O. Box 185, West Chesterfield, NH 0346
(603) 256-8800