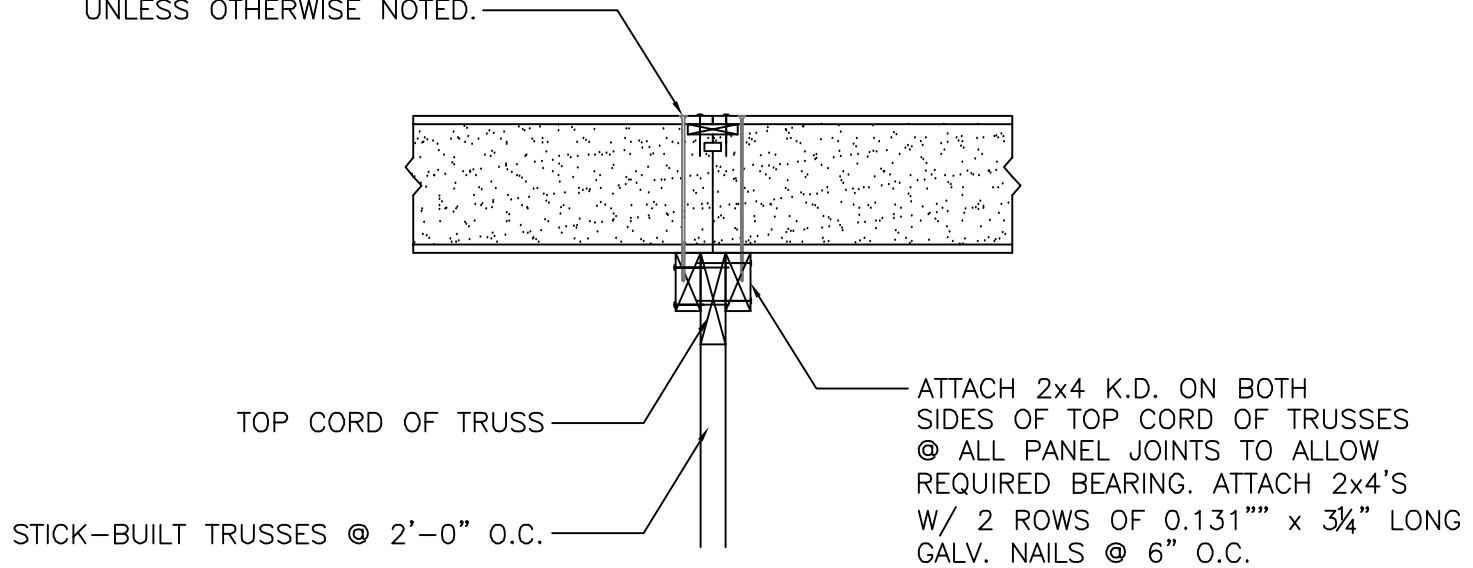
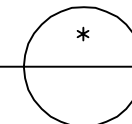


ATTACH PANELS TO 2x4's ATTACH TO TRUSS W/ SIP FASTENERS @ 10" O.C. OR 5 PER 4' PANEL WIDTH. TYPICAL UNLESS OTHERWISE NOTED.



ROOF PANEL JOINT TO TRUSS ATTACHMENT  
SCALE: 1" = 1'-0"



*Foard*  
P A N E L  
i n c o r p o r a t e d  
P.O. Box 185 , West Chesterfield , NH 03466  
( 603 ) 256 - 8800