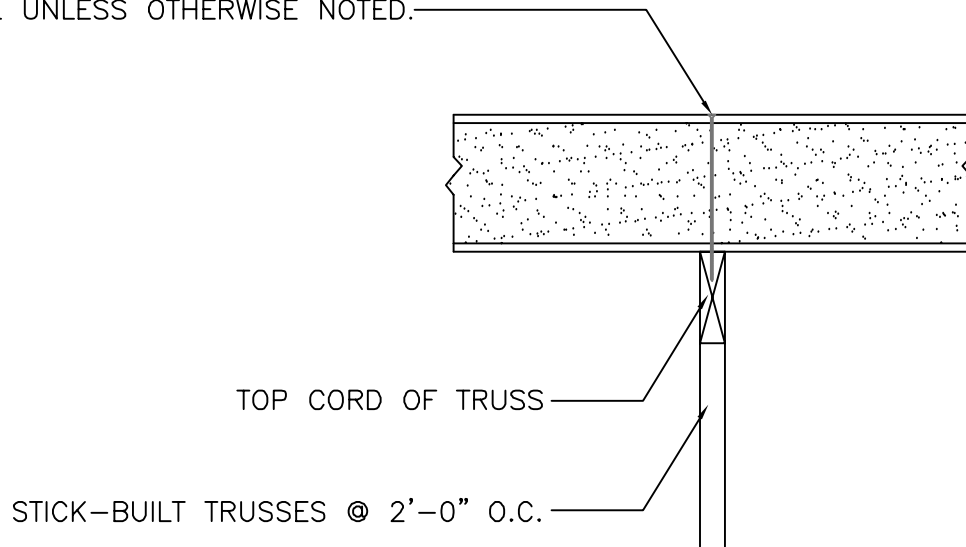
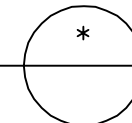


ATTACH PANEL TO TOP CORD OF TRUSS W/ SIP FASTENERS @ 10" O.C. OR 5 PER 4' PANEL WIDTH. TYPICAL UNLESS OTHERWISE NOTED.



ROOF PANEL TO TRUSS ATTACHMENT
SCALE: 1" = 1'-0"



Foard
P A N E L
i n c o r p o r a t e d
P.O. Box 185 , West Chesterfield , NH 03466
(603) 256 - 8800