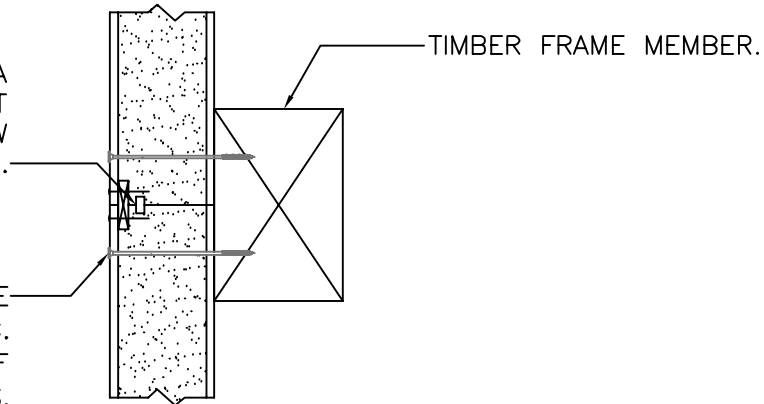


#19

# PANEL JOINT @ TIMBER GIRT

USE DRILL & FILL METHOD TO APPLY A CONT. BEAD OF EXPANDING FOAM SEALANT INTO PANEL JOINT. SEE BELOW FOR INSTALLATION INSTRUCTIONS.

ATTACH PANELS TO TIMBER FRAME MEMBERS W/ SIP FASTENERS @ 10" O.C. (5 PER 4' PANEL WIDTH) W/ A MIN. OF 2" OF EMBEDMENT INTO ALL TIMBERS. TYPICAL UNLESS OTHERWISE NOTED.

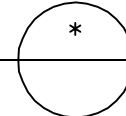


## DRILL AND FILL METHOD:

FROM EXTERIOR DRILL  $\frac{3}{8}$ " DIA. HOLES IN PANEL CONNECTION @ 10" O.C. FOR WALL PANELS & @ 6" O.C. FOR ROOF PANELS ALONG ENTIRE LENGTH OF JOINT. INJECT FOAM INTO CAVITY FOR APPR. 5 SECONDS. FOAM MUST BE ALLOWED TO CURE FOR AT LEAST 24 HOURS BEFORE HARDENED FOAM BALLS ARE REMOVED FROM THE EXTERIOR. INJECT FOAM AS CLOSE AS POSSIBLE TO INTERIOR SKIN OF PANEL.

[ PANEL TYPE: STRUCTURAL PANEL APPLIED DIRECTLY TO THE FRAME ]

PANEL JOINT @ GIRT CONNECTION DETAIL  
SCALE: 1" = 1'-0"



**Foard**  
P A N E L  
i n c o r p o r a t e d  
P.O. Box 185, West Chesterfield, NH 0346  
(603) 256-8800